



 itimat

HAKKIMIZDA

İmalat tecrübesi 1979 yılına kadar uzanan ve 2006 yılından beri 'İtimat Otomotiv' adı altında üretim yapan kuruluşumuz ticari araç üst yapı üreticileri için 400 çeşitten fazla ürün tedarik etmektedir. Ürün çeşitliliği bu boyutlarda olan bir fabrika esnek üretim sistemlerine ihtiyaç duyar. İtimat, uygun stok düzeyi ve iş gücü ile dengeli bir üretim hattı kullanarak siparişlerin eksiksiz ve zamanında teslim edilmesini amaçlar. İtimat, sektördeki kalite anlayışının daima gelişmesi gerektiğine inanır ve ürün kalitesini bu gelişime entegre ederek hep ileri taşır. Ticari araç üst yapı üreticilerinin hem fonksiyonel, hem de estetik olarak daha gelişmiş ürünlere ihtiyaç duyacağını bilen İtimat, bu ihtiyacı uygun tasarım ve fiyat çerçevesinde ele alır ve ürün çeşitliliğini sürekli artırarak müşteri beklentilerinin en iyi şekilde karşılanmasını sağlar.



ABOUT US

'İtimat Otomotiv' has been supplying more than 400 products for its customers since 2006, with the experience of manufacturing for more than 30 years. This case of having hundreds of product types, requires flexible manufacturing systems. İtimat aims to deliver its customers' orders at the right time and the right amount by using a balanced manufacturing system with the right stock level and labor force. İtimat believes that the sense of quality in the market should grow constantly and it improves its product quality, integrated with the market. For all the new more functionally and aesthetically advanced products needed by the customers, İtimat provides them in effective designing and fair prices.



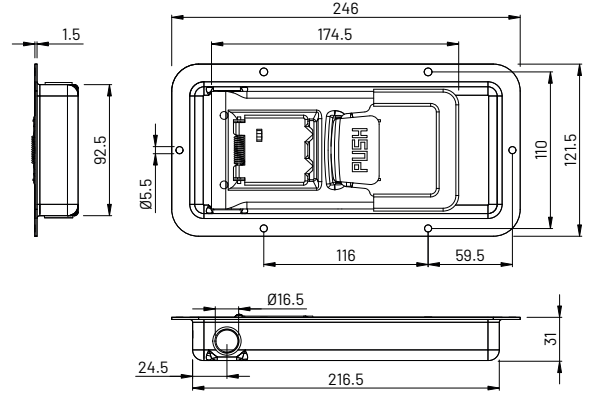
Kapı Kilitleme Ürünleri Door Locking Products	7-28
Kapalı Kasa Menteşeleri Closed Box Hinges	29-39
PVC Profiller PVC Profiles	40-42
Takozlar Rubber Buffers	43-47
Et Asma Ürünleri Meat Hanging Products	48-50
Havalandırma Ürünleri Ventilation Products	51
Treyler Kapak Ürünleri Trailer Pillars, Locks, Hinges	53-67
Branda Ürünleri Curtain Products	68-73
Yan Bariyer Ürünleri Underrun Protection Products	74-76
Merdivenler Ladders	77
Çamurluk Ürünleri Mudguards	78-81
Ahşap ve Damper Kasa Ürünleri Open Box Products	83-111
Yük ve Araç Sabitleme Ürünleri Load & Truck Fixing Products	112-117
Dolap ve Depolar Boxes and Tanks	118-120





Kapı Kilitleme Ürünleri

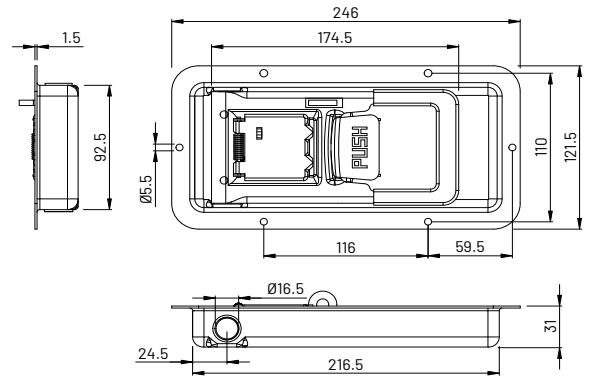
Door Locking Products



Gömme Kilit Küçük Anahtarlı

Recessed Door Lock, Key Operated Small

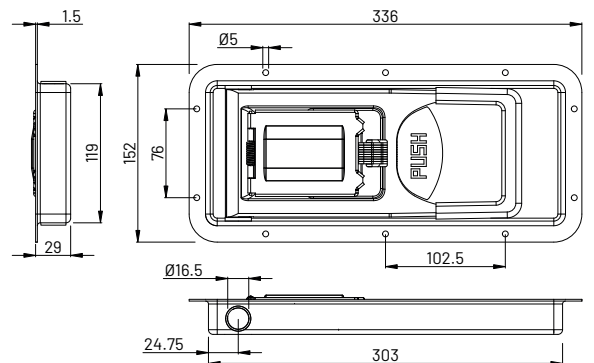
Galvanizli (ZP)	450-K10-001	0,990	15
Krom (SS)	450-K10-002		



Gömme Kilit Küçük Anahtarlı & Asma Kilitli

Recessed Door Lock, Key & Padlock Operated Small

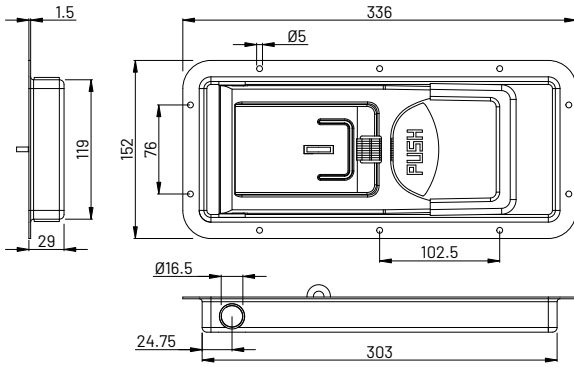
Galvanizli (ZP)	450-K10-017	1,010	15
Krom (SS)	450-K10-018		



Gömme Kilit Büyük Anahtarlı

Recessed Door Lock, Key Operated Large

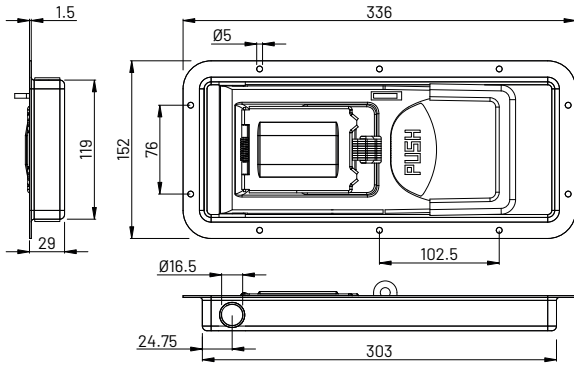
Galvanizli (ZP)	450-K10-005	1,730	10
Krom (SS)	450-K10-006		



Gömme Kilit Büyük Asma Kilitli
Recessed Door Lock, Padlock Operated Large

Galvanizli (ZP)
Krom (SS)

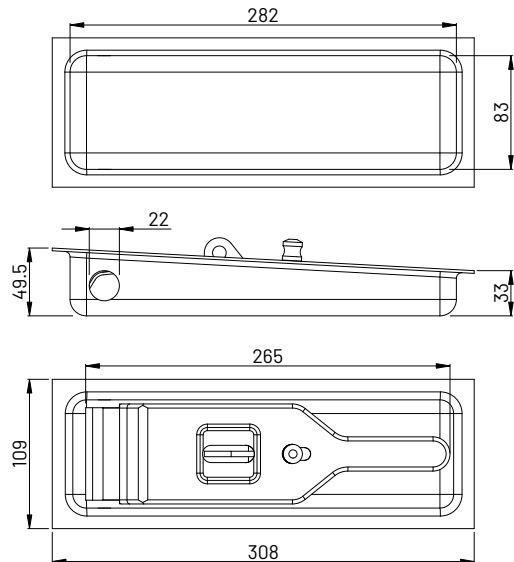
Galvanizli (ZP)	Krom (SS)	Net Ağırlık (kg)	Paket İçerisi (Adet)
450-K10-003	450-K10-004	1,520	10



Gömme Kilit Büyük Anahtarlı & Asma Kilitli
Recessed Door Lock, Key & Padlock Operated Large

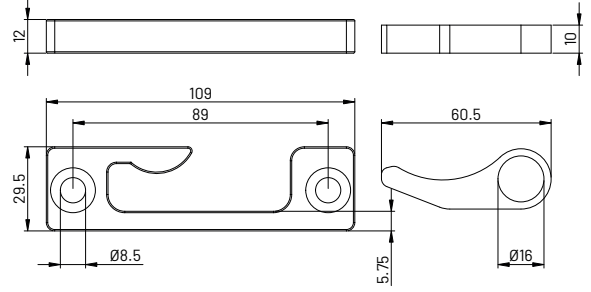
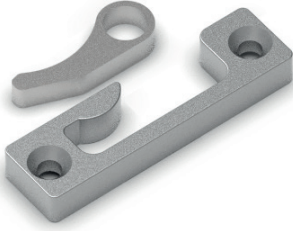
Galvanizli (ZP)
Krom (SS)

Galvanizli (ZP)	Krom (SS)	Net Ağırlık (kg)	Paket İçerisi (Adet)
450-K10-015	450-K10-016	1,750	10



Gömme Kilit Eski Model
Recessed Door Lock

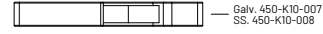
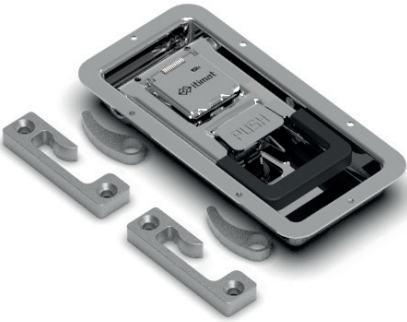
Galvanizli (ZP)	Krom (SS)	Net Ağırlık (kg)	Paket İçerisi (Adet)
450-K10-024		1,200	15



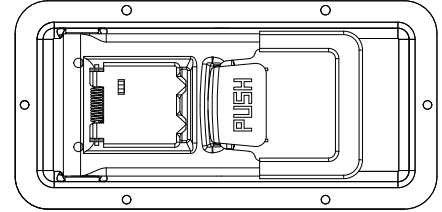
Gömme Kilit Karşılığı

Cam & Keeper for Recessed Door Lock

Galvanizli (ZP)	450-K10-007	0,200	100
Krom (SS)	450-K10-008	0,210	



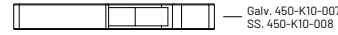
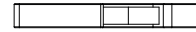
Galv. 450-K10-001
SS. 450-K10-002



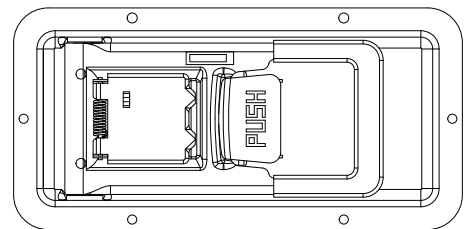
Gömme Set Küçük Anahtarlı

Recessed Door Lock Set, Key Operated Small

Galvanizli (ZP)	450-K10-009	1,410	10
Krom (SS)	450-K10-010	1,490	



Galv. 450-K10-017
SS. 450-K10-018

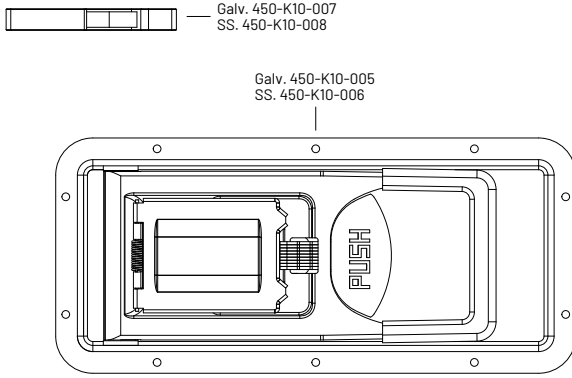


Gömme Set Küçük Anahtarlı & Asma Kilitli

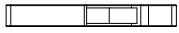
Recessed Door Lock Set, Key & Padlock Operated Small

Galvanizli (ZP)	450-K10-020	1,430	10
Krom (SS)	450-K10-021	1,510	



**Gömme Set Büyük Anahtarlı**

Recessed Door Lock Set, Key Operated Large



Galvanizli (ZP)



450-K10-013



2,150

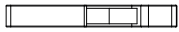
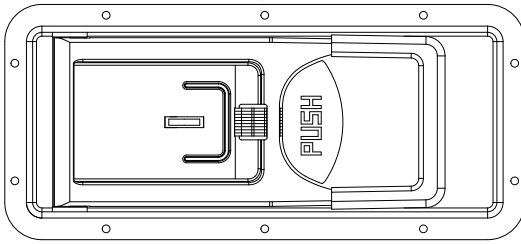


10

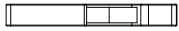
Krom (SS)

450-K10-014

2,230

Galv. 450-K10-007
SS. 450-K10-008Galv. 450-K10-003
SS. 450-K10-004**Gömme Set Büyük Asma Kilitli**

Recessed Door Lock Set, Padlock Operated Large



Galvanizli (ZP)



450-K10-011



1,940

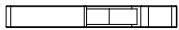
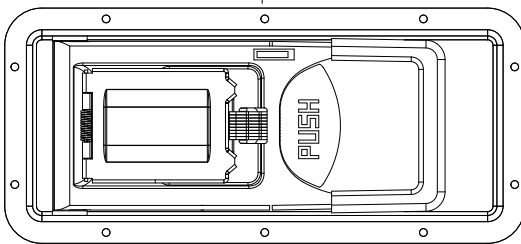


10

Krom (SS)

450-K10-012

2,020

Galv. 450-K10-007
SS. 450-K10-008Galv. 450-K10-015
SS. 450-K10-016**Gömme Set Büyük Anahtarlı & Asma Kilitli**

Recessed Door Lock Set, Key & Padlock Operated Large



Galvanizli (ZP)



450-K10-022



2,170



10

Krom (SS)

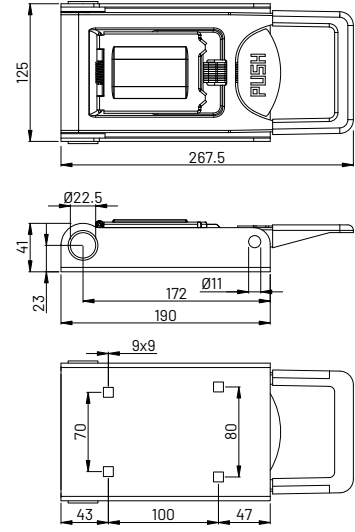
450-K10-023

2,250


Dıştan Kilit Anahtarlı Ø22

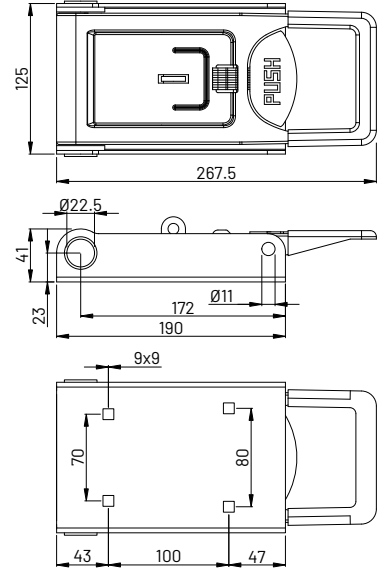
External Door Lock, Key Operated Ø22

Galvanizli (ZP)	450-K11-003	1,810	10
Krom (SS)	450-K11-004		


Dıştan Kilit Asma Kilitli Ø22

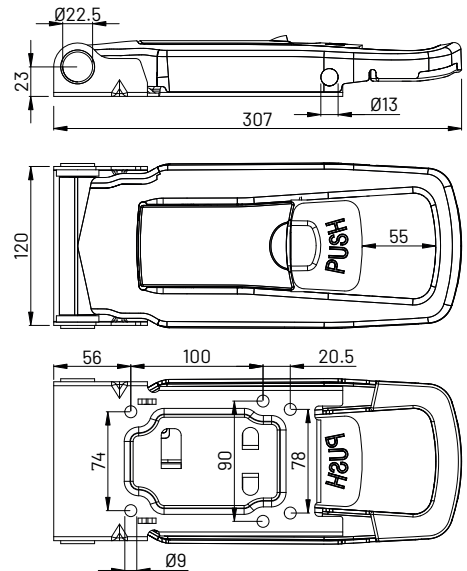
External Door Lock, Padlock Operated Ø22

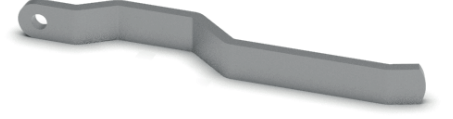
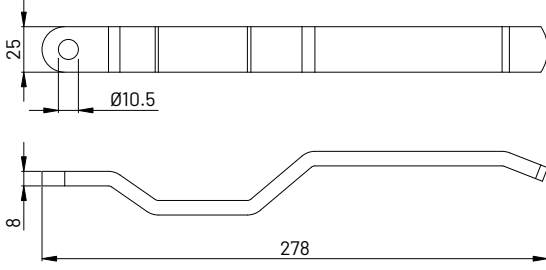
Galvanizli (ZP)	450-K11-001	1,700	10
Krom (SS)	450-K11-002		


Solid Kilit Ø22

Solid Series External Door Lock Ø22

Galvanizli (ZP)	450-K11-007	1,950	10
Krom (SS)	450-K11-008		



**Düz Lama Kol Ø22**

Lever Ø22

Galvanizli (ZP)



450-K13-011



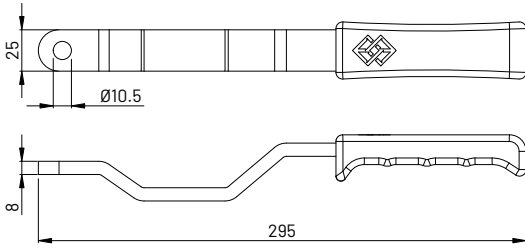
0,450



30

Krom (SS)

450-K13-012

**Düz Lama Kol Plastikli Ø22**

Lever Ø22

Galvanizli (ZP)



450-K13-013



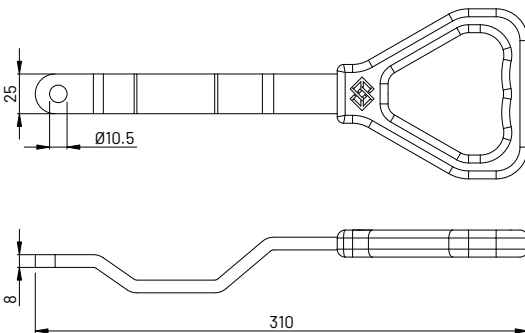
0,500



30

Krom (SS)

450-K13-014

**Lama Kol Ø22**

Lever Ø22

Galvanizli (ZP)



450-K13-001



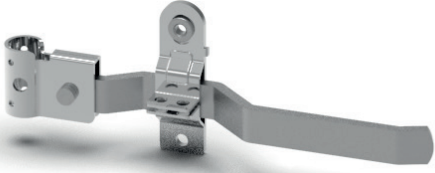
0,450



30

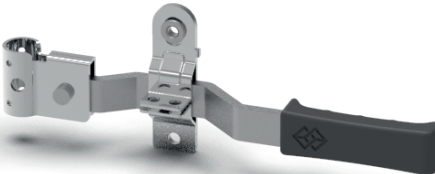
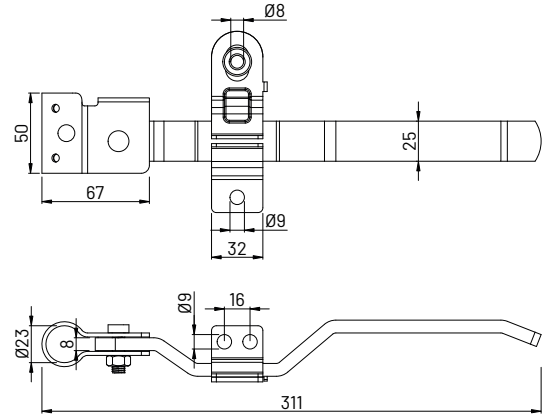
Krom (SS)

450-K13-002


Düz Lama Kol Takım Ø22

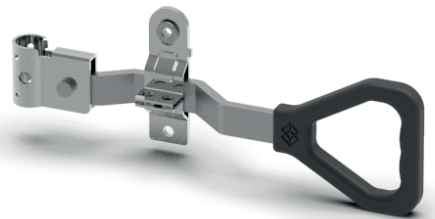
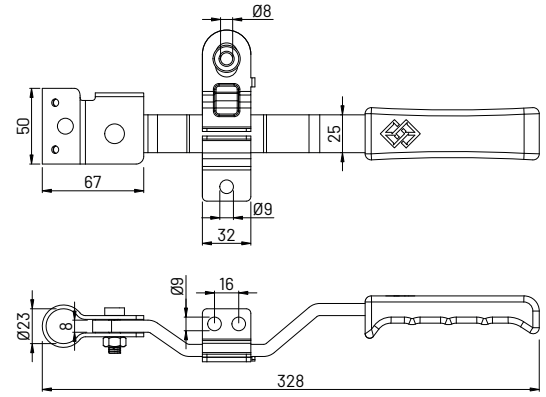
Lever with Hub and Retainer Ø22

Galvanizli (ZP)	450-K13-015	0,750	20
Krom (SS)	450-K13-016		


Düz Lama Kol Takım Plastikli Ø22

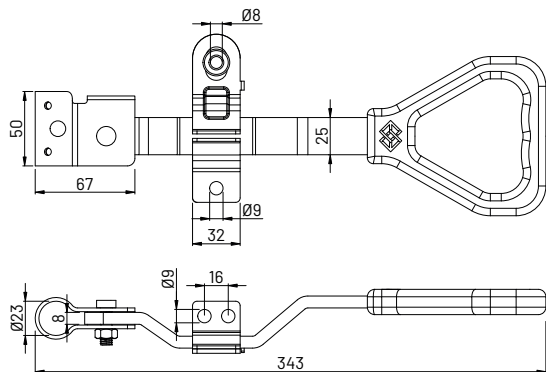
Lever with Hub and Retainer Ø22

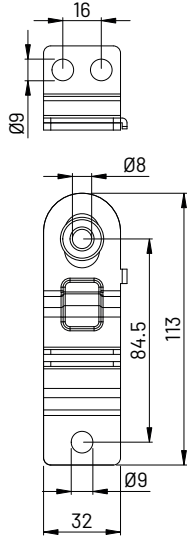
Galvanizli (ZP)	450-K13-017	0,800	20
Krom (SS)	450-K13-018		


Lama Kol Takım Ø22

Lever with Hub and Retainer Ø22

Galvanizli (ZP)	450-K13-003	0,750	20
Krom (SS)	450-K13-004		

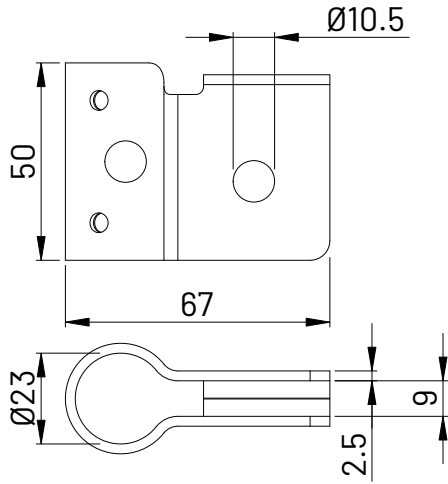




Lama Kol Kilit Yeri Ø22
Lever Retainer Ø22

Galvanizli (ZP)
Krom (SS)

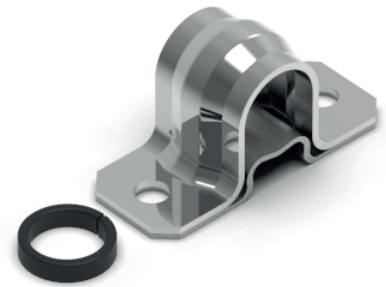
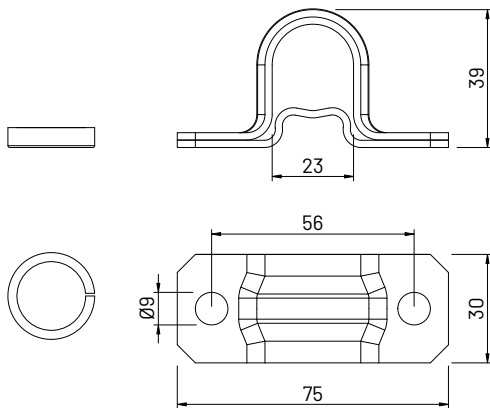
	450-K13-005	0,150	50



Lama Kol Topuzu Ø22
Lever Hub Ø22

Galvanizli (ZP)
Krom (SS)

	450-K13-007	0,130	50



Mil Yuvası Küçük Ø22
Bearing Bracket Small Ø22

Galvanizli (ZP)
Krom (SS)

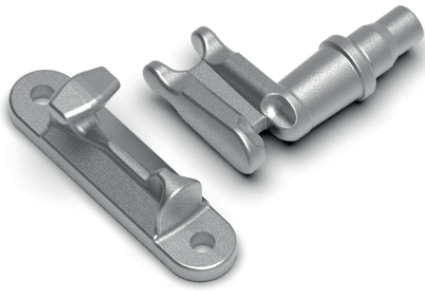
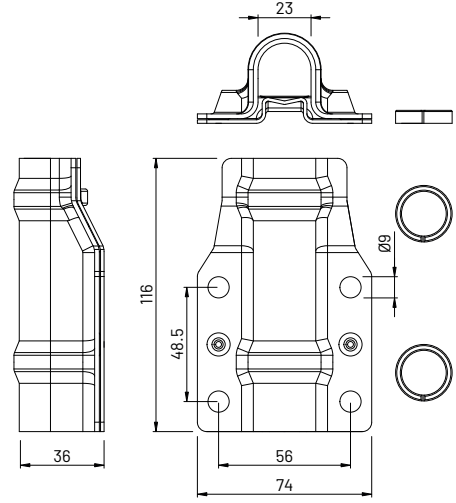
	450-K11-009	0,100	50



Mil Yuvası Büyük Ø22

Bearing Bracket Large Ø22

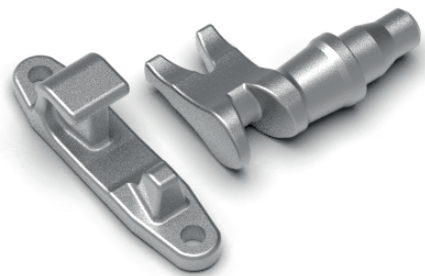
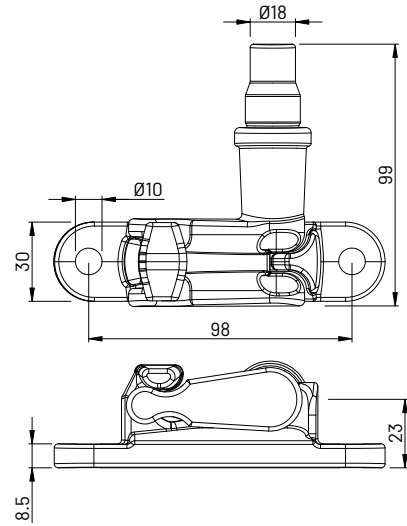
Galvanizli (ZP)	450-K11-011	0,350	50
Krom (SS)	450-K11-012		



Solid Kanca Tek Yön Ø22

Cam & Keeper Ø22

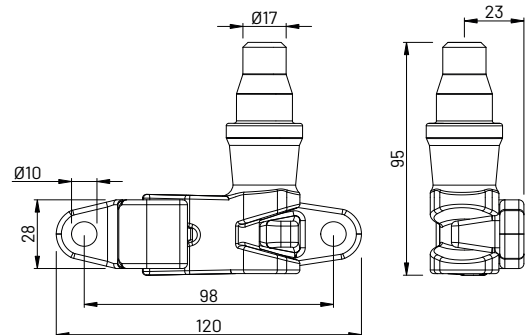
Galvanizli (ZP)	450-K11-013	0,750	40
Krom (SS)	450-K11-014		

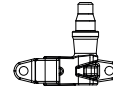
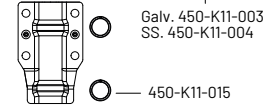
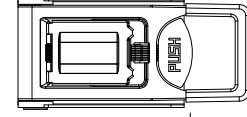
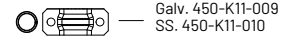
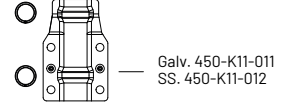
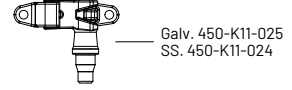


Döküm Kanca Tek Yön Ø22

Cam & Keeper Ø22

Galvanizli (ZP)	450-K11-025	0,750	40
Krom (SS)	450-K11-024		

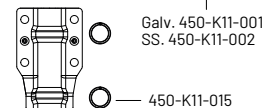
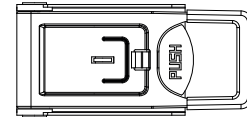
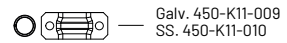
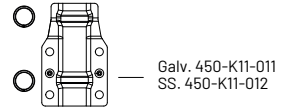
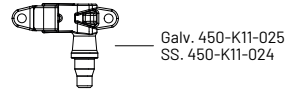




Dıştan Set Anahtarlı Ø22

External Door Lock Set, Key Operated Ø22

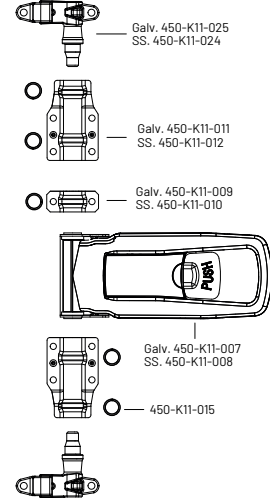
Galvanizli (ZP)	450-K11-018	4,000	5
Krom (SS)	450-K11-019		



Dıştan Set Asma Kilitli Ø22

External Door Lock Set, Padlock Operated Ø22

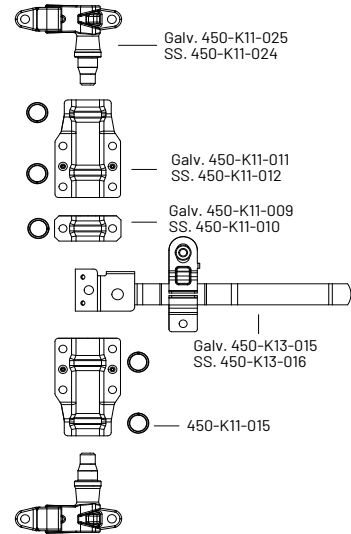
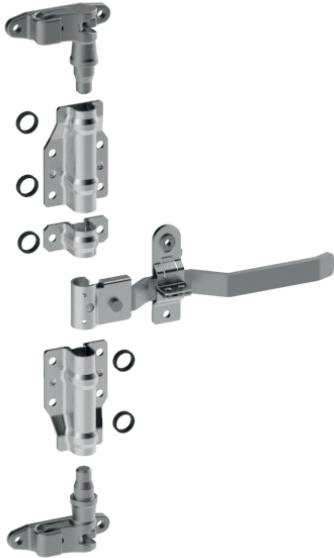
Galvanizli (ZP)	450-K11-016	3,890	5
Krom (SS)	450-K11-017		



Solid Set Ø22

Solid Series External Door Lock Set Ø22

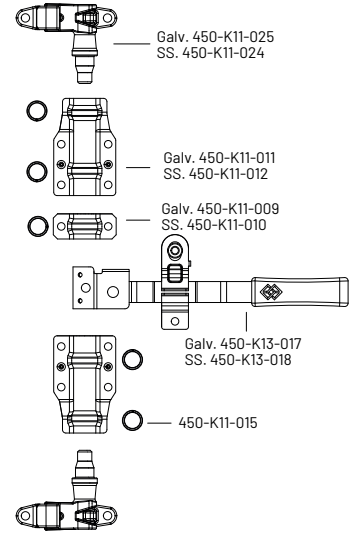
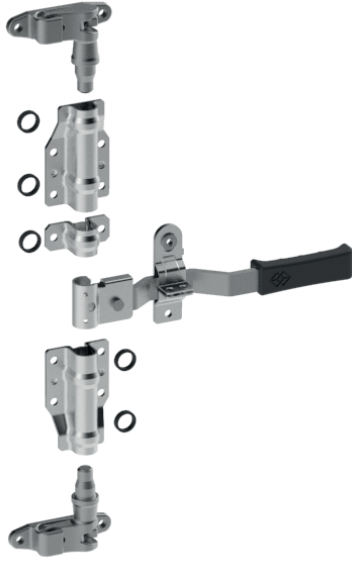
Galvanizli (ZP)	450-K11-022	4,140	5
Krom (SS)	450-K11-023		



Düz Lama Kol Set Ø22

Lever Set Ø22

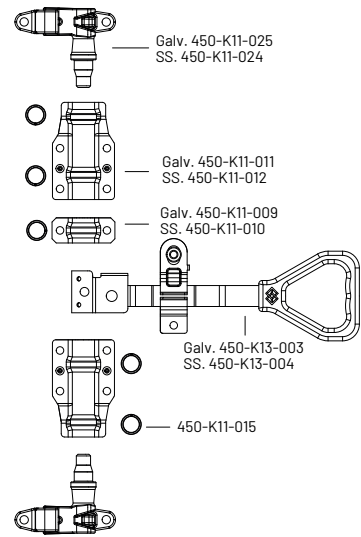
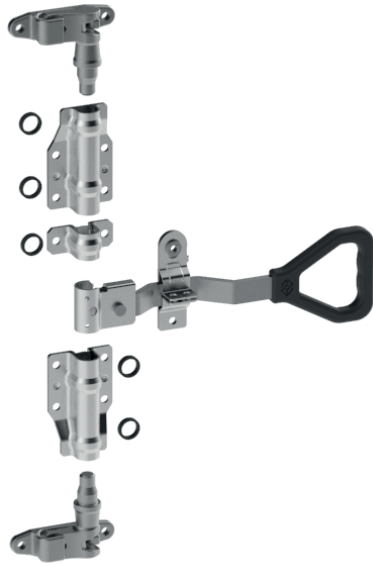
Galvanizli (ZP)	450-K13-019	2,940	5
Krom (SS)	450-K13-020		



Düz Lama Kol Set Plastikli Ø22

Lever Set Ø22

Galvanizli (ZP)	450-K13-021	2,990	5
Krom (SS)	450-K13-022		



Lama Kol Set Ø22

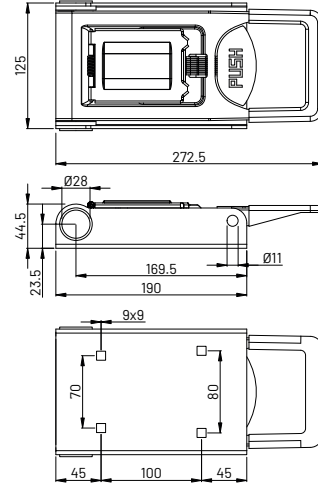
Lever Set Ø22

Galvanizli (ZP)	450-K13-009	2,940	5
Krom (SS)	450-K13-010		


Dıştan Kilit Anahtarlı Ø27

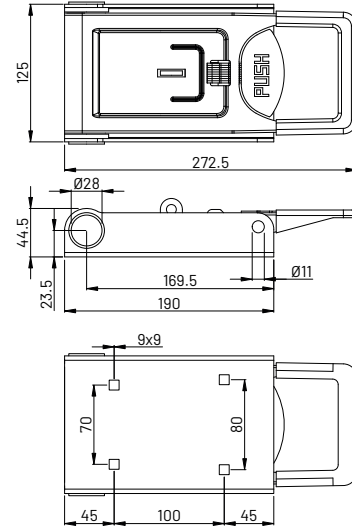
External Door Lock, Key Operated Ø27

Galvanizli (ZP)	450-K12-005	1,830	10
Krom (SS)	450-K12-006		


Dıştan Kilit Asma Kilitli Ø27

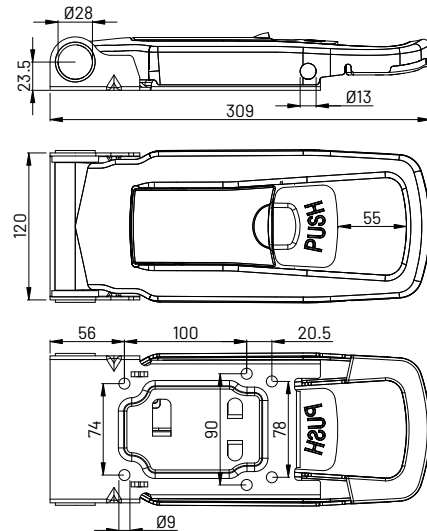
External Door Lock, Padlock Operated Ø27

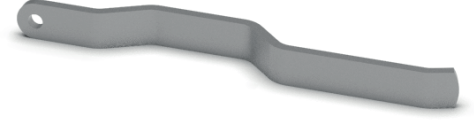
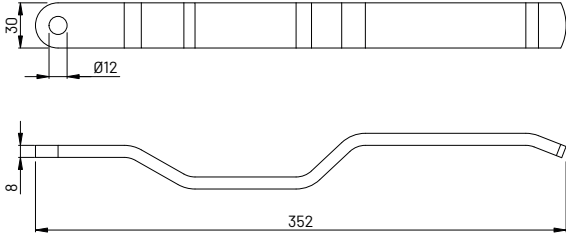
Galvanizli (ZP)	450-K12-001	1,720	10
Krom (SS)	450-K12-002		


Solid Kilit Ø27

Solid Series External Door Lock Ø27

Galvanizli (ZP)	450-K12-009	2,000	10
Krom (SS)	450-K12-010		

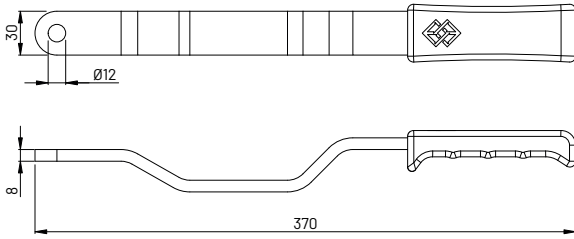


**Düz Lama Kol Ø27**

Lever Ø27

Galvanizli (ZP)
Krom (SS)

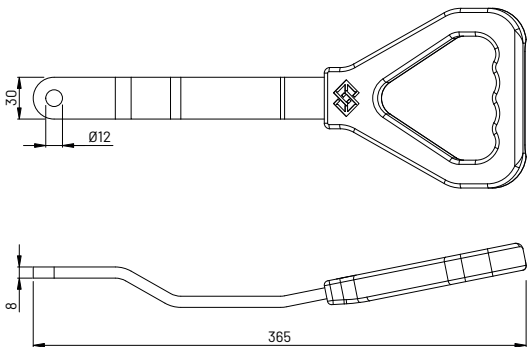
Galvanizli (ZP)	450-K14-011	0,650	30
Krom (SS)	450-K14-012		

**Düz Lama Kol Plastikli Ø27**

Lever Ø27

Galvanizli (ZP)
Krom (SS)

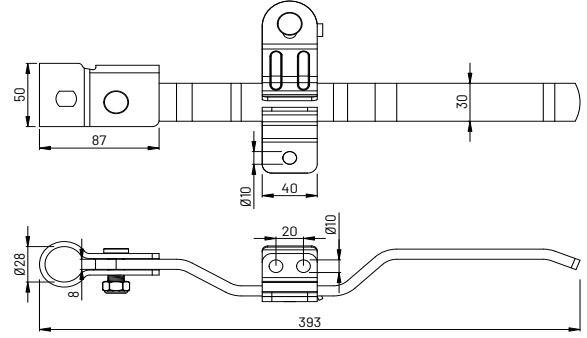
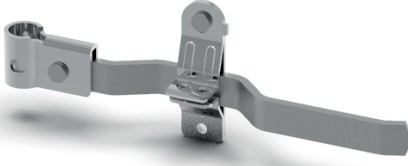
Galvanizli (ZP)	450-K14-013	0,750	30
Krom (SS)	450-K14-014		

**Lama Kol Ø27**

Lever Ø27

Galvanizli (ZP)
Krom (SS)

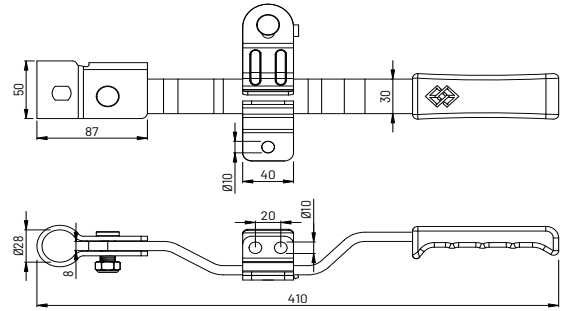
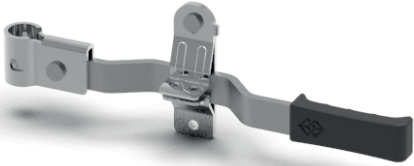
Galvanizli (ZP)	450-K14-001	0,600	30
Krom (SS)	450-K14-002		



Düz Lama Kol Takım Ø27

Lever with Hub and Retainer Ø27

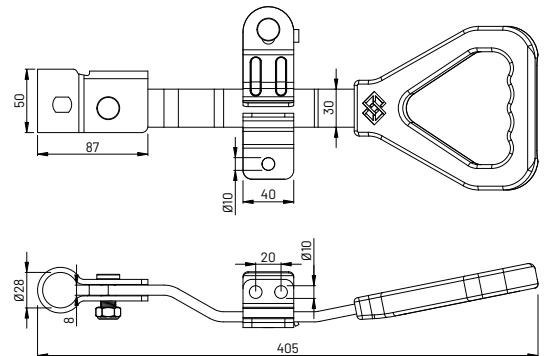
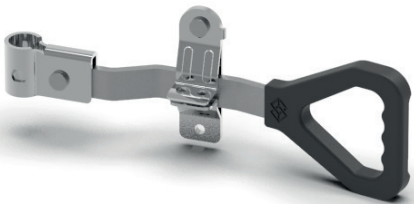
Galvanizli (ZP)	450-K14-015	1,200	20
Krom (SS)	450-K14-016		



Düz Lama Kol Takım Plastikli Ø27

Lever with Hub and Retainer Ø27

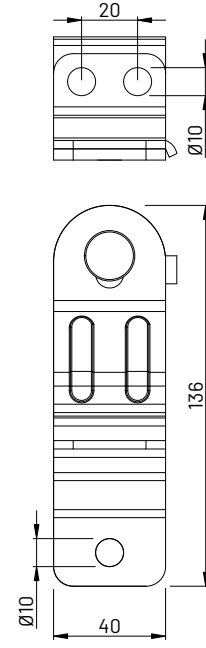
Galvanizli (ZP)	450-K14-017	1,300	20
Krom (SS)	450-K14-018		



Lama Kol Takım Ø27

Lever with Hub and Retainer Ø27

Galvanizli (ZP)	450-K14-003	1,150	20
Krom (SS)	450-K14-004		

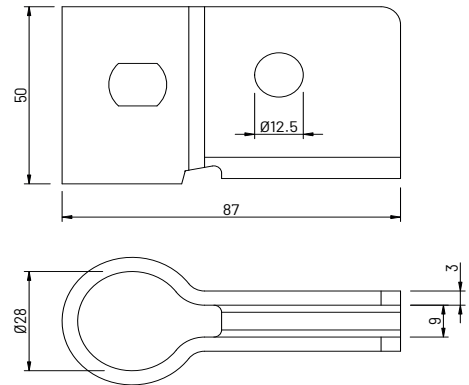
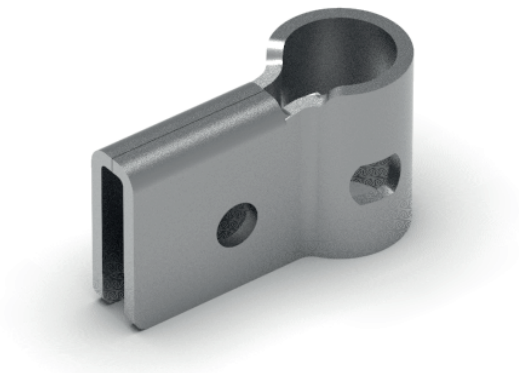


Lama Kol Kilit Yeri Ø27

Lever Retainer Ø27

Galvanizli (ZP)
Krom (SS)

	450-K14-005	0,300	50

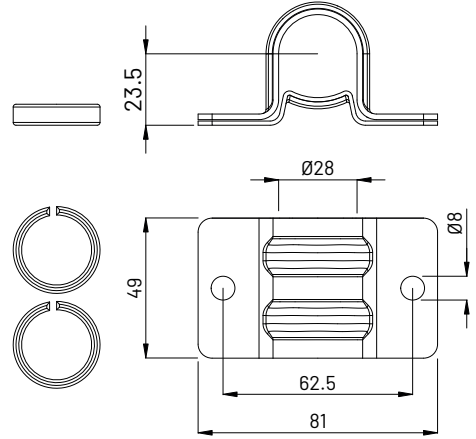
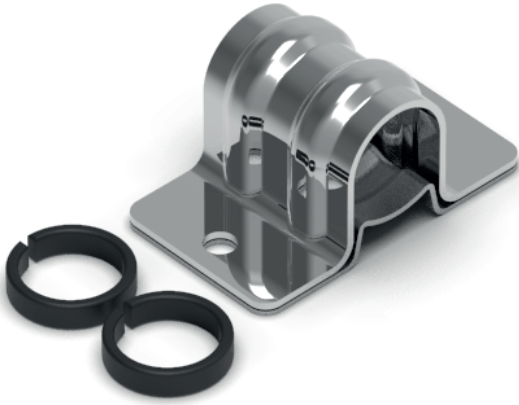


Lama Kol Topuzu Ø27

Lever Hub Ø27

Galvanizli (ZP)
Krom (SS)

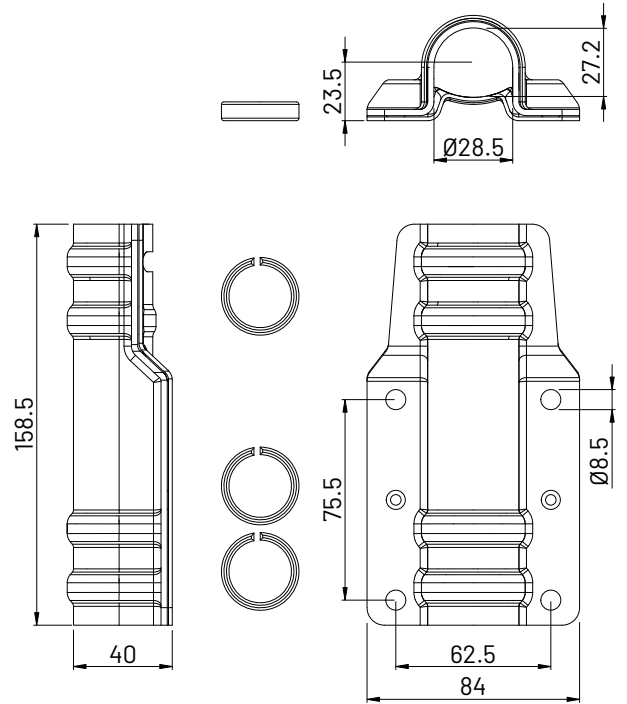
	450-K14-007	0,200	50


Mil Yuvası Küçük Ø27

Bearing Bracket Small Ø27

 Galvanizli (ZP)
 Krom (SS)

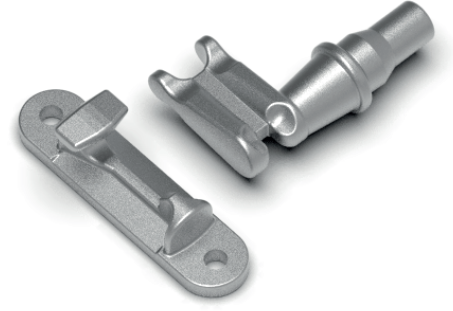
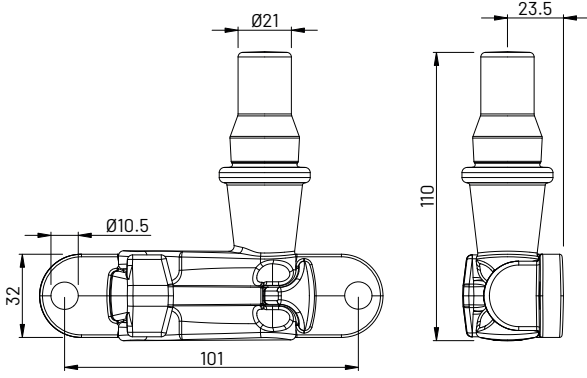
	450-K12-011	0,150	50


Mil Yuvası Büyük Ø27

Bearing Bracket Large Ø27

 Galvanizli (ZP)
 Krom (SS)

	450-K12-013	0,450	50
	450-K12-014	0,500	

**Solid Kanca Tek Yön Ø27**

Cam & Keeper Ø27

Galvanizli (ZP)



450-K12-017



0,850



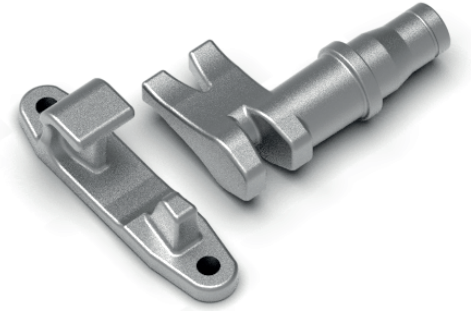
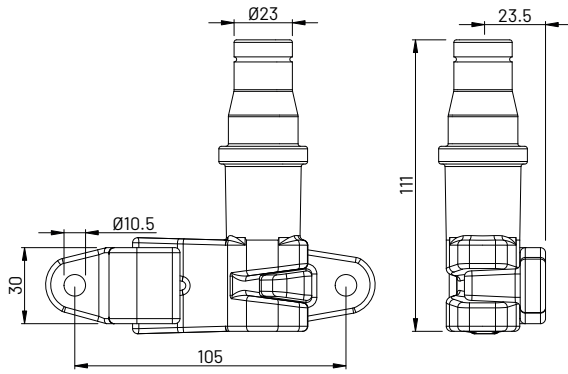
40

Krom (SS)

450-K12-018

0,900

40

**Döküm Kanca Tek Yön Ø27**

Cam & Keeper Ø27

Galvanizli (ZP)



450-K12-031



0,900



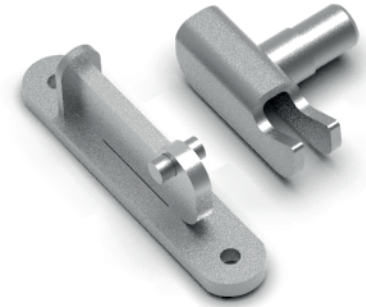
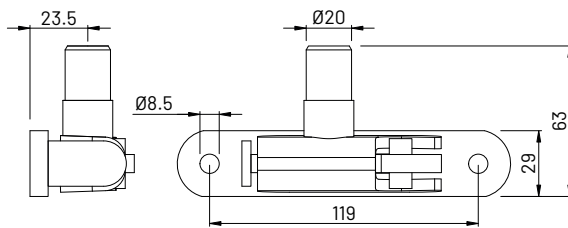
40

Krom (SS)

450-K12-032

0,900

40

**Demir Kanca Ø27**

Cam & Keeper Ø27

Galvanizli (ZP)



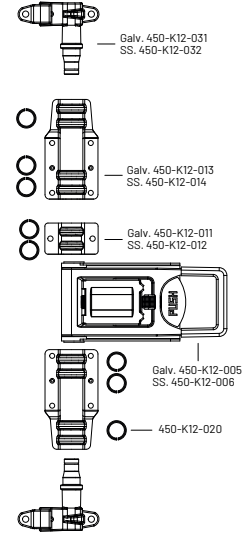
450-K12-019



0,650



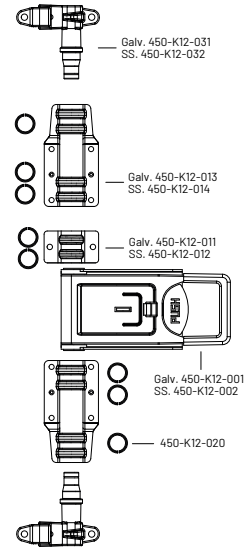
40



Dıştan Set Anahtarlı Ø27

External Door Lock Set, Key Operated Ø27

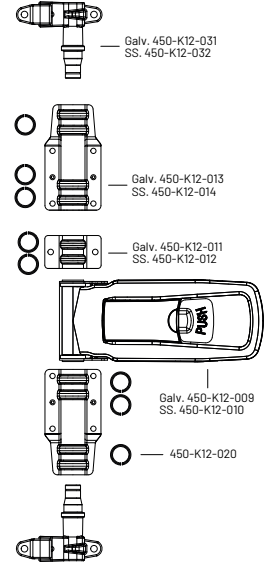
Galvanizli (ZP)	450-K12-025	4,580	5
Krom (SS)	450-K12-026	4,780	



Dıştan Set Asma Kilitli Ø27

External Door Lock Set, Padlock Operated Ø27

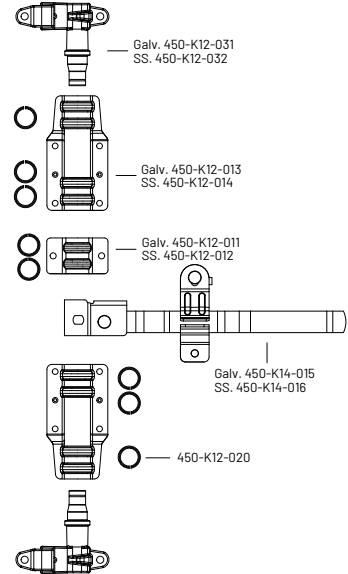
Galvanizli (ZP)	450-K12-021	4,470	5
Krom (SS)	450-K12-022	4,670	



Solid Set 027

Solid Series External Door Lock Set 027

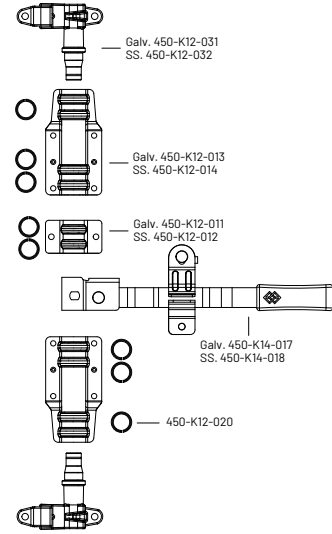
Galvanizli (ZP)	450-K12-029	4,750	5
Krom (SS)	450-K12-030	4,950	



Düz Lama Kol Set 027

Lever Set 027

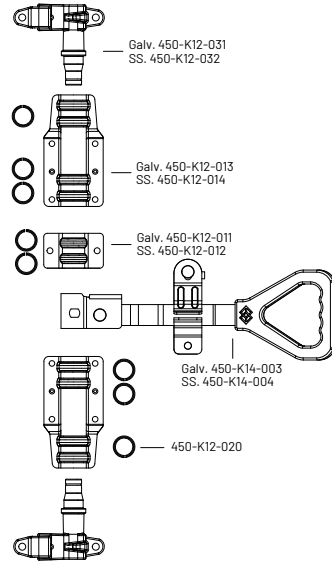
Galvanizli (ZP)	450-K14-019	3,950	5
Krom (SS)	450-K14-020	4,150	



Düz Lama Kol Set Plastikli Ø27

Lever Set Ø27

Galvanizli (ZP)	450-K14-021	4,050	5
Krom (SS)	450-K14-022	4,250	



Lama Kol Set Ø27

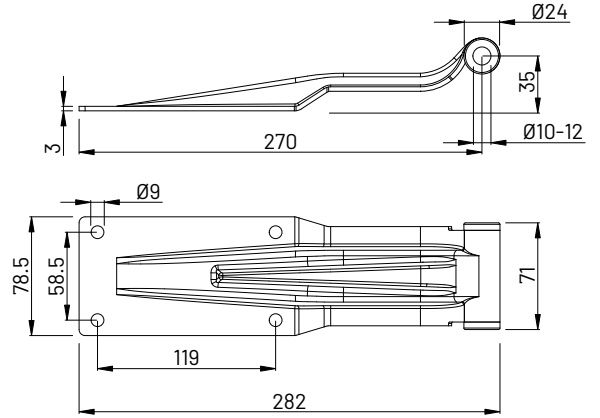
Lever Set Ø27

Galvanizli (ZP)	450-K14-009	3,900	5
Krom (SS)	450-K14-010	4,100	



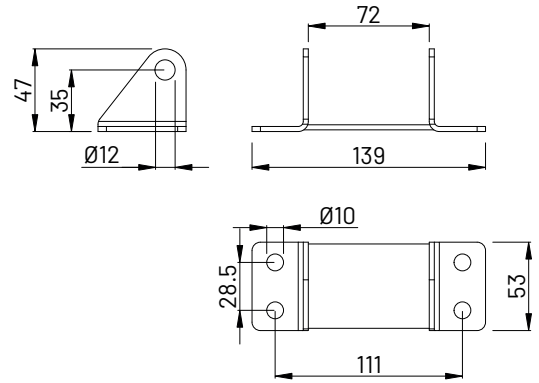
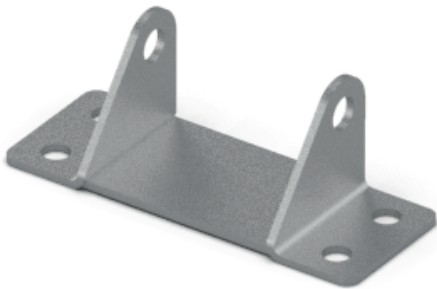
Kapalı Kasa Mentешeleri

Closed Box Hinges


Arka Kapı Menteşesi Küçük

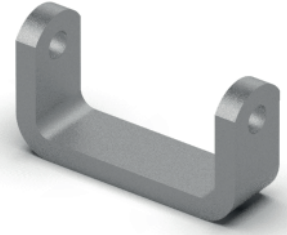
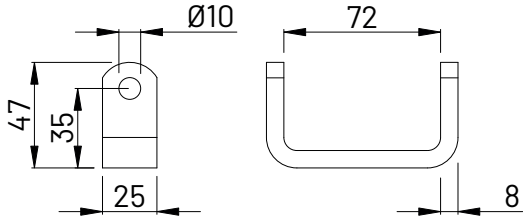
Rear Door Hinge Small

Ayaksız Krom (Without Bracket SS)	450-M10-031	0,550	25





Sac Ayak

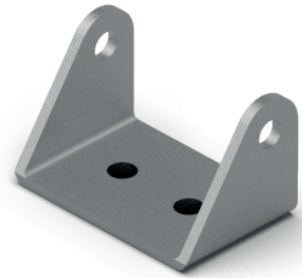
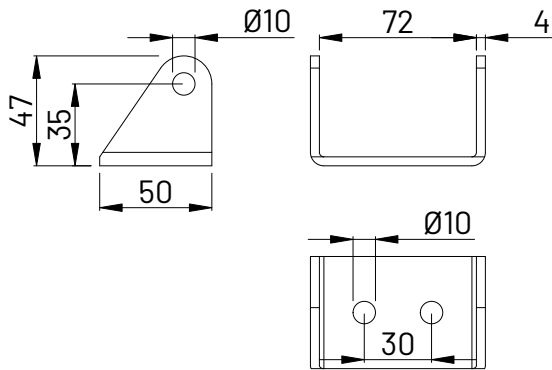
Bracket

Mat (Self Colour)	450-M10-001		
Galvanizli (ZP)	450-M10-002	0,880	20
Krom (SS)	450-M10-003		






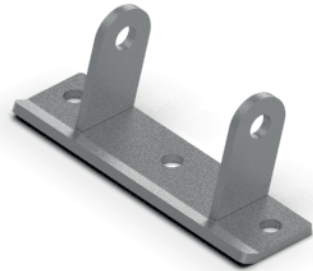
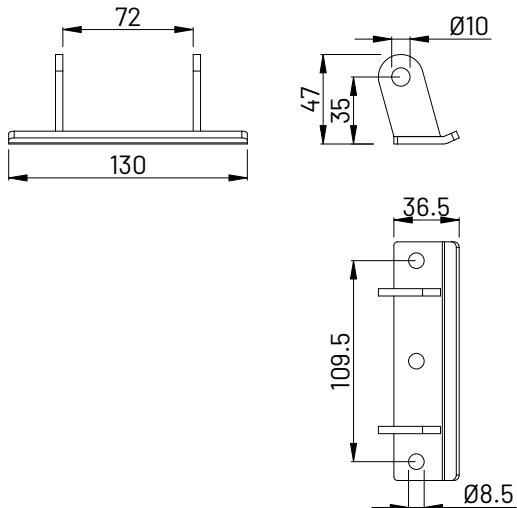
Lama Ayak Bracket

			
Mat (Self Colour)	450-M10-016		
Galvanizli (ZP)	450-M10-017	0,950	20
Krom (SS)	450-M10-018		






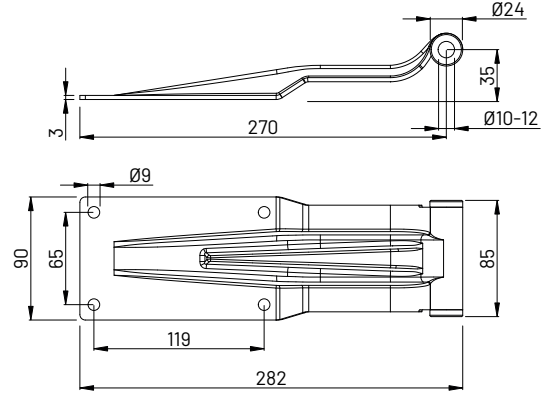
U Ayak Bracket

			
Mat (Self Colour)	450-M10-019		
Galvanizli (ZP)	450-M10-020	0,850	20
Krom (SS)	450-M10-021		



Sac Ayak 2 Bracket

			
Mat (Self Colour)	450-M10-022		
Galvanizli (ZP)	450-M10-023	0,850	20
Krom (SS)	450-M10-024		



Arka Kapı Menteşesi Büyük

Rear Door Hinge Large



450-M10-032

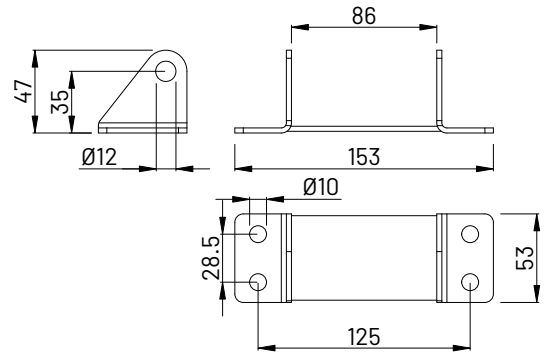
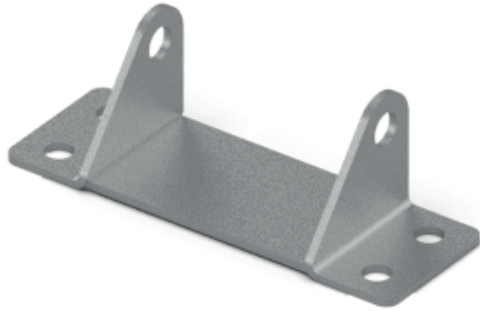


0,650



25

Ayaksız Krom (Without Bracket SS)



Sac Ayak

Bracket



450-M10-004



0,980



20

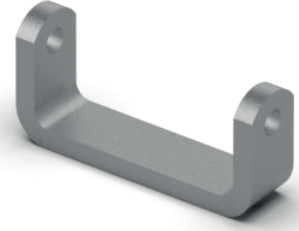
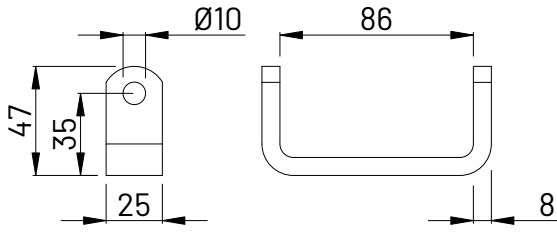
Mat (Self Colour)

Galvanizli (ZP)

Krom (SS)

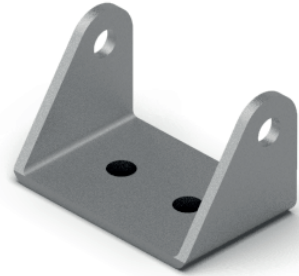
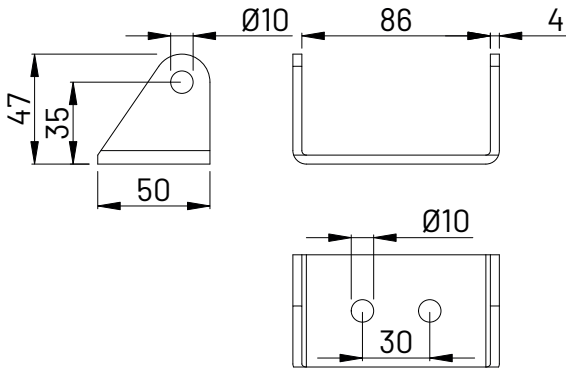
450-M10-005

450-M10-006

**Lama Ayak**

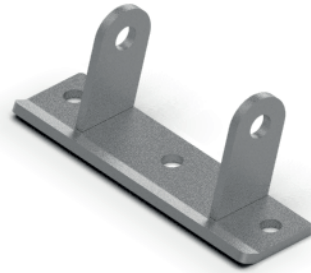
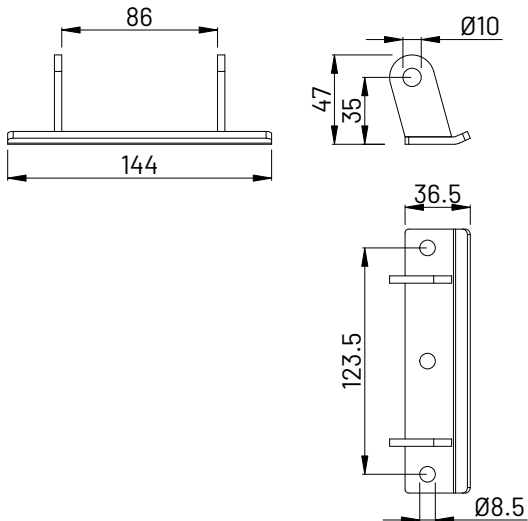
Bracket

Mat (Self Colour)	450-M10-007		
Galvanizli (ZP)	450-M10-008	1,050	20
Krom (SS)	450-M10-009		

**U Ayak**

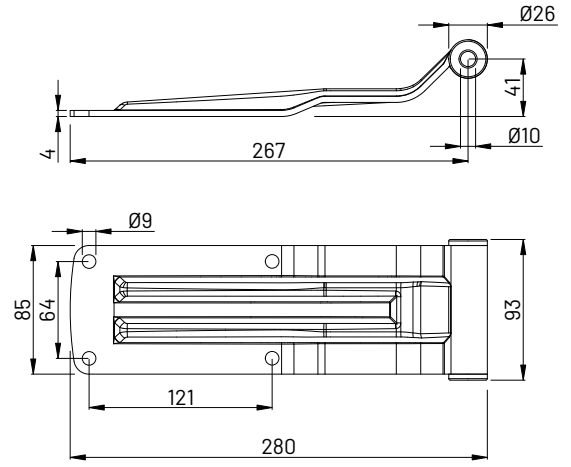
Bracket

Mat (Self Colour)	450-M10-025		
Galvanizli (ZP)	450-M10-026	0,950	20
Krom (SS)	450-M10-027		

**Sac Ayak 2**

Bracket

Mat (Self Colour)	450-M10-028		
Galvanizli (ZP)	450-M10-029	0,950	20
Krom (SS)	450-M10-030		


Solid Mentese Küçük

Solid Series Rear Door Hinge Small



450-M12-013

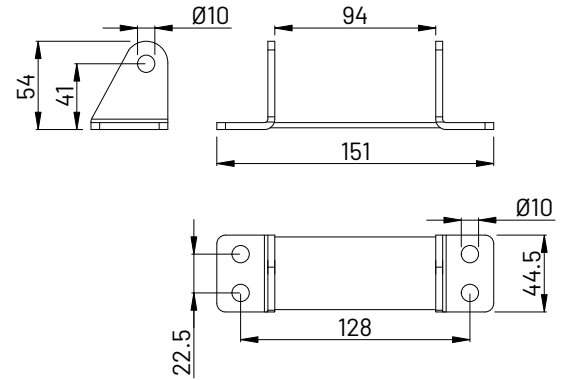
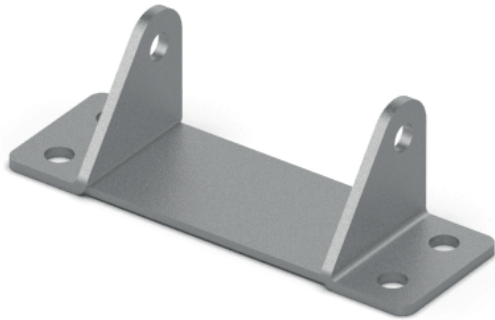


0,920



25

Ayaksız Krom (Without Bracket SS)


Sac Ayak

Bracket



450-M12-001



1,220



20

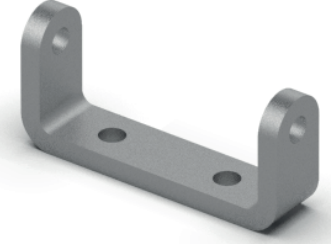
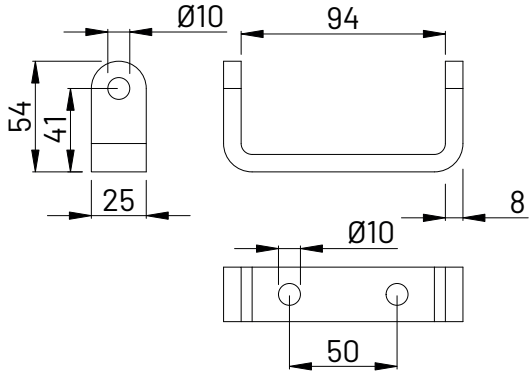
Mat (Self Colour)

Galvanizli (ZP)

Krom (SS)

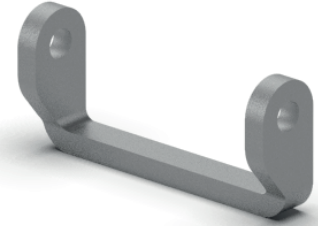
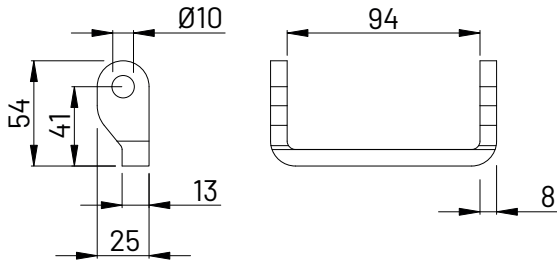
450-M12-002

450-M12-003



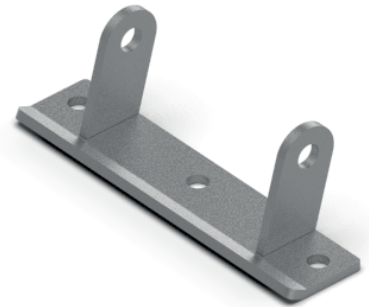
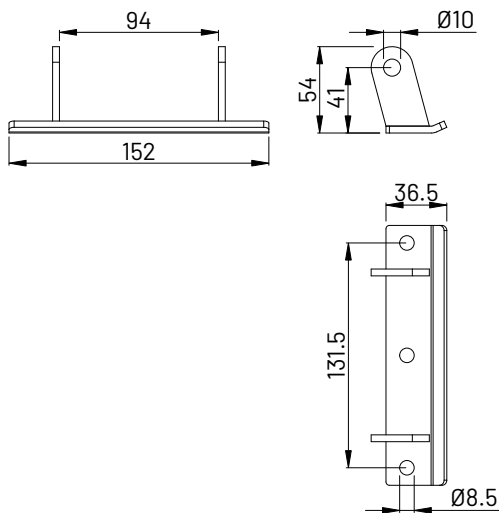
Lama Ayak
Bracket

Mat (Self Colour)	450-M12-007		
Galvanizli (ZP)	450-M12-008	1,250	20
Krom (SS)	450-M12-009		



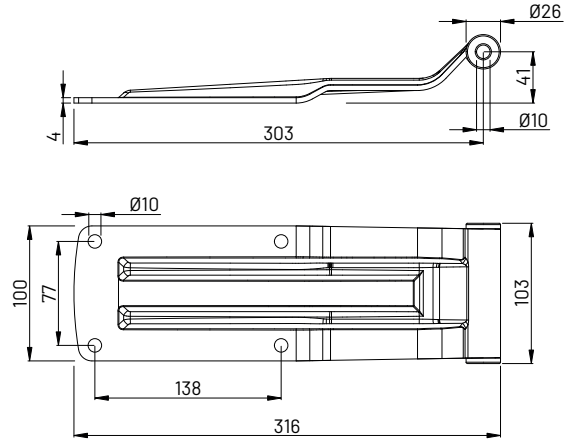
Lama Ayak 2
Bracket

Mat (Self Colour)	450-M12-015		
Galvanizli (ZP)	450-M12-016	1,170	20
Krom (SS)	450-M12-017		



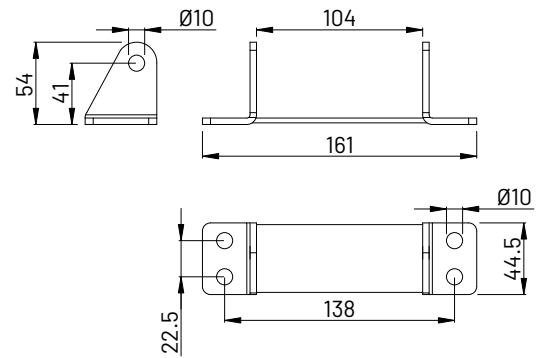
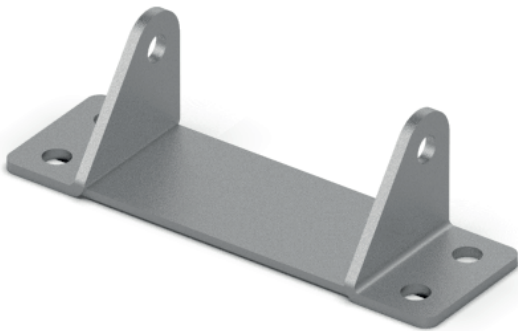
Sac Ayak 2
Bracket

Mat (Self Colour)	450-M12-018		
Galvanizli (ZP)	450-M12-019	1,210	20
Krom (SS)	450-M12-020		



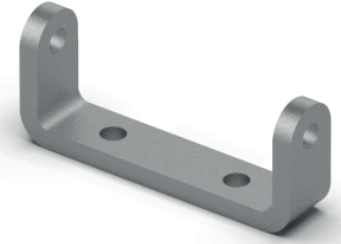
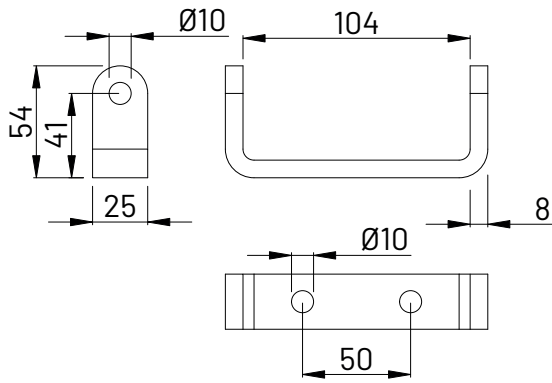
Solid Mentese Büyük
Solid Series Rear Door Hinge Large

Ayaksız Krom (Without Bracket SS)	450-M12-014	1,160	20



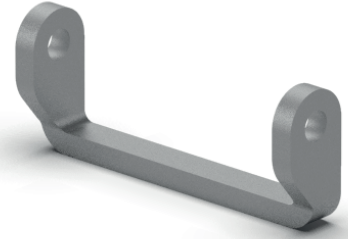
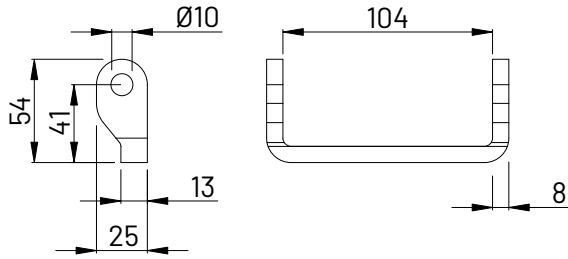
Sac Ayak
Bracket

Mat (Self Colour)	450-M12-004		
Galvanizli (ZP)	450-M12-005	1,510	15
Krom (SS)	450-M12-006		



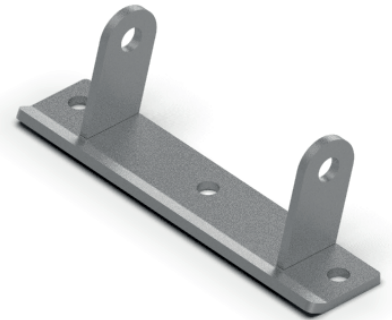
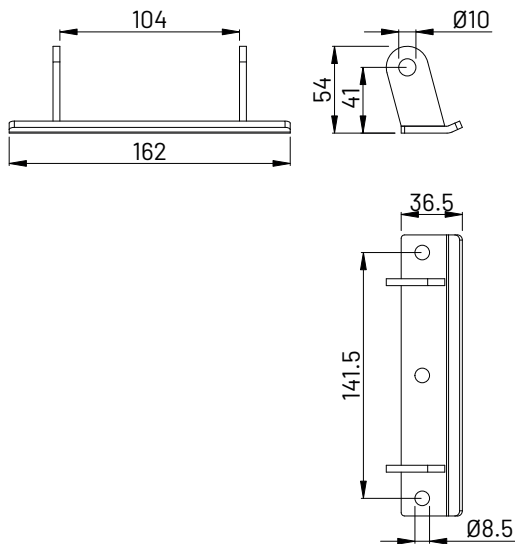
Lama Ayak
Bracket

Mat (Self Colour)	450-M12-010		
Galvanizli (ZP)	450-M12-011	1,550	15
Krom (SS)	450-M12-012		



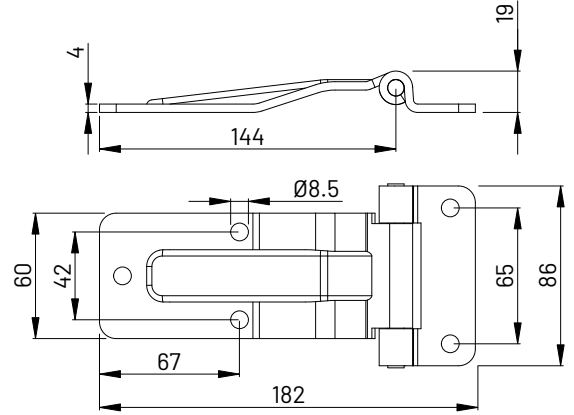
Lama Ayak 2
Bracket

Mat (Self Colour)	450-M12-021		
Galvanizli (ZP)	450-M12-022	1,460	15
Krom (SS)	450-M12-023		



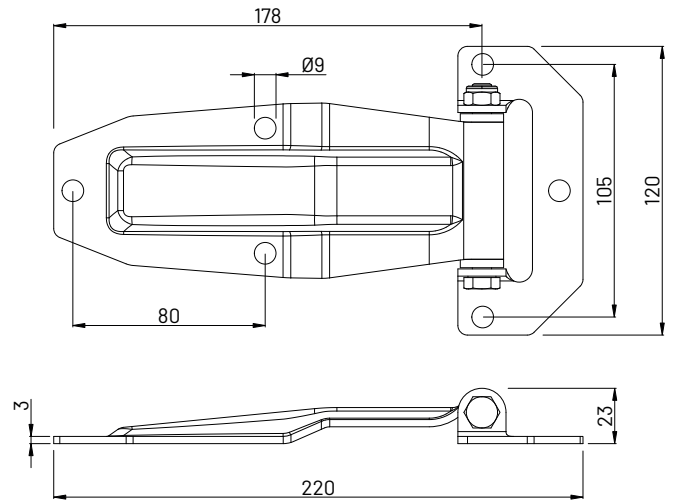
Sac Ayak 2
Bracket

Mat (Self Colour)	450-M12-024		
Galvanizli (ZP)	450-M12-025	1,510	15
Krom (SS)	450-M12-026		


Yan Kapı Menteşesi Küçük
Side Door Hinge Small

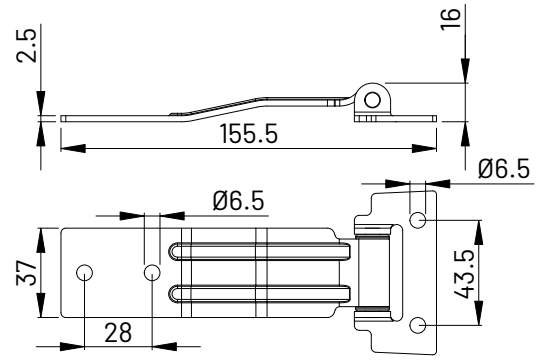
 Galvanizli (ZP)
 Krom (SS)

Galvanizli (ZP)	Krom (SS)	Ağırlık (kg)	Paketleme (adet)
450-M13-001	450-M13-002	0,460	50


Yan Kapı Menteşesi Büyük
Side Door Hinge Large

 Galvanizli (ZP)
 Krom (SS)

Galvanizli (ZP)	Krom (SS)	Ağırlık (kg)	Paketleme (adet)
450-M13-003	450-M13-004	0,460	50



Havalandırma Menteşesi

Hinge for Ventilator

Krom (SS)



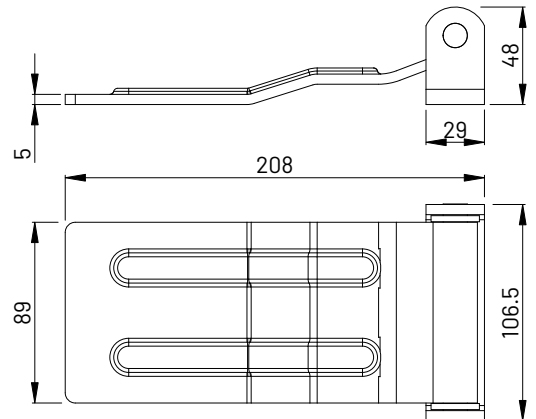
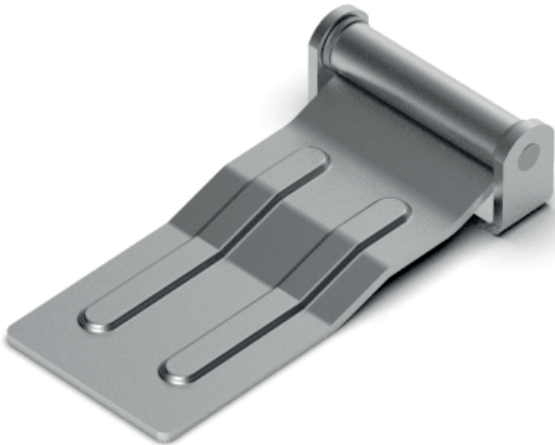
450-H12-002



0,150



100



Kaynaklı Menteşe

Hinge to be welded

Mat (Self Colour)

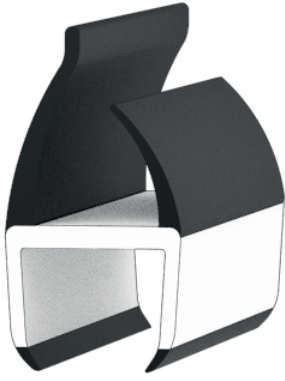
450-M14-001

1,150

20

Galvanizli (ZP)

450-M14-002



PVC Fitol 19 mm
 PVC Seal Strip 19 mm

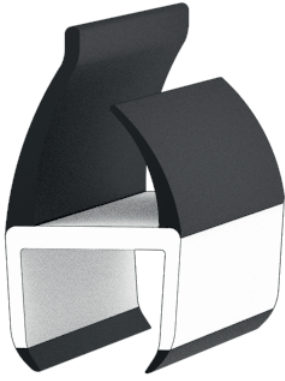
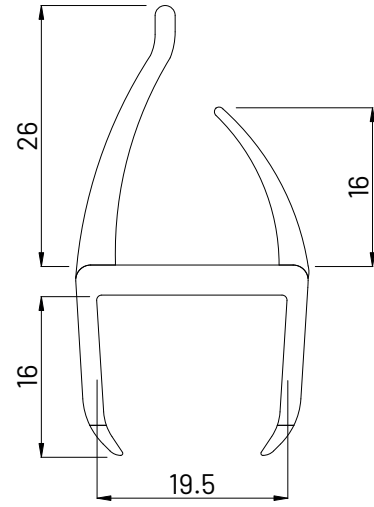
Siyah Beyaz (Black-White)



450-P10-001



3.20 - 5.00



PVC Fitol 21 mm
 PVC Seal Strip 21 mm

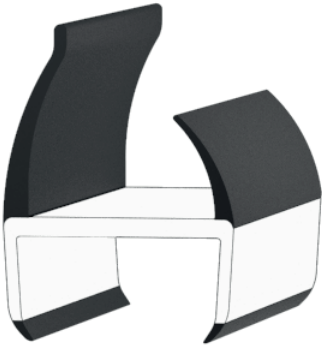
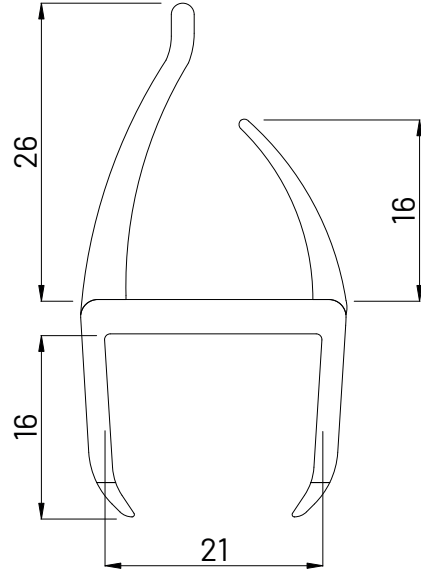
Siyah Beyaz (Black-White)



450-P10-002



3.20 - 5.00



PVC Fitol 32 mm
 PVC Seal Strip 32 mm

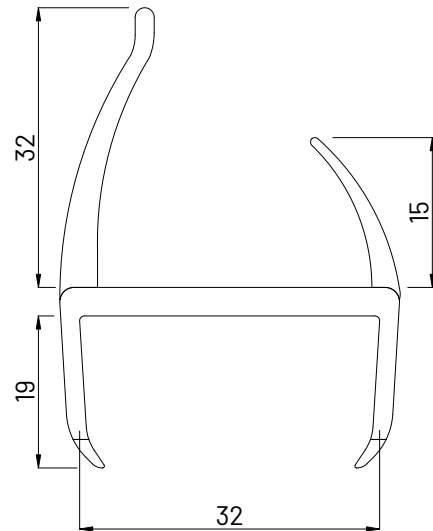
Siyah Beyaz (Black-White)

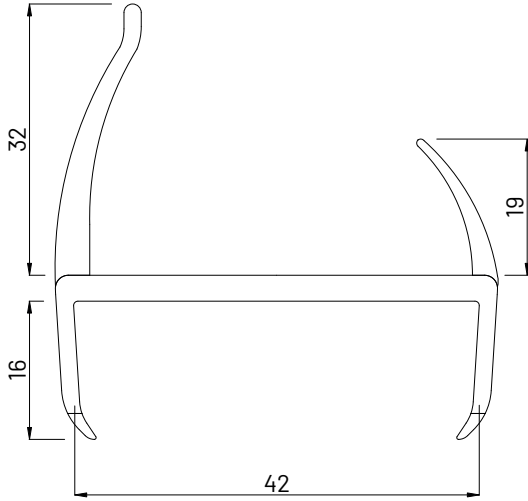


450-P10-004



3.20 - 5.00





PVC Fitol 42 mm
PVC Seal Strip 42 mm

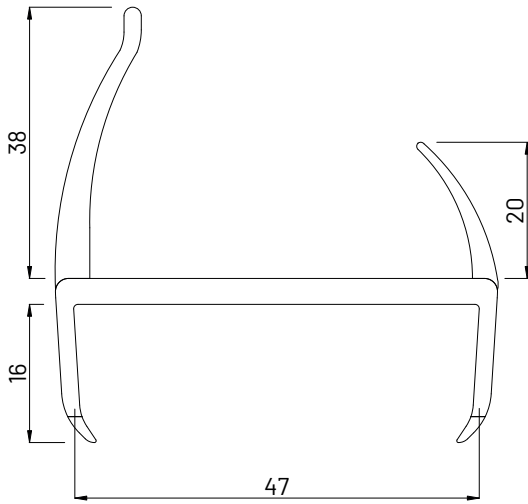
Siyah Beyaz (Black-White)



450-P10-005



3.20 - 5.00



PVC Fitol 47 mm
PVC Seal Strip 47 mm

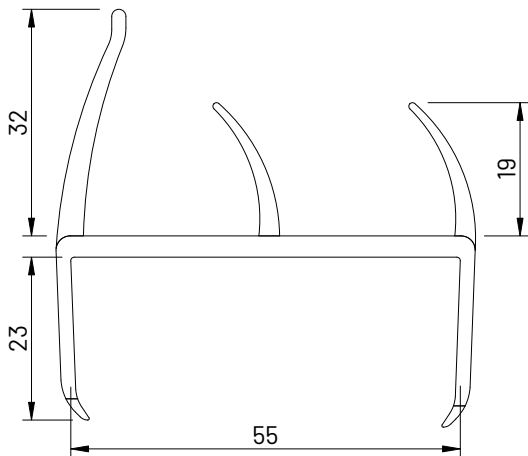
Siyah Beyaz (Black-White)



450-P10-006



3.20 - 5.00



PVC Fitol 55 mm
PVC Seal Strip 55 mm

Siyah Beyaz (Black-White)



450-P10-008



3.20 - 5.00


PVC Fitol 65 mm

PVC Seal Strip 65 mm

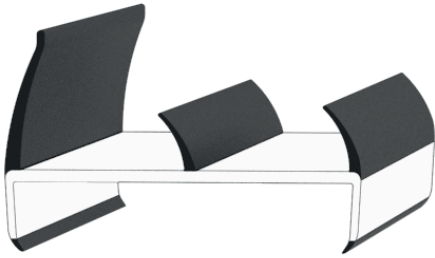
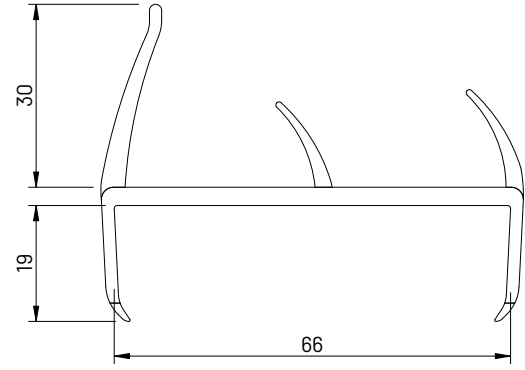


450-P10-009



3.20 - 5.00

Siyah Beyaz (Black-White)


PVC Fitol 85 mm

PVC Seal Strip 85 mm

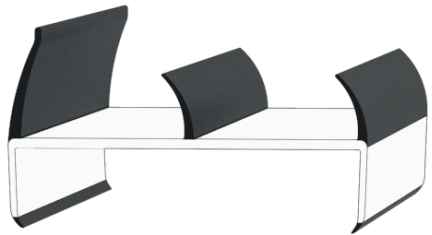
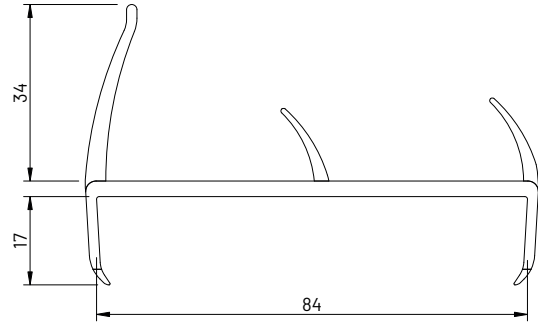


450-P10-013



3.20 - 5.00

Siyah Beyaz (Black-White)


PVC Fitol 100 mm

PVC Seal Strip 100 mm

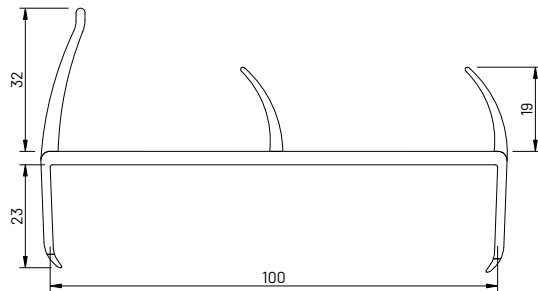


450-P10-017



3.20 - 5.00

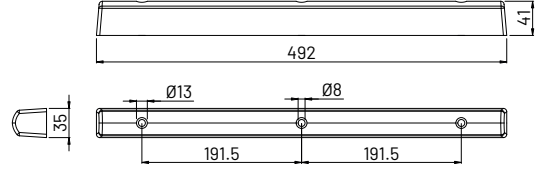
Siyah Beyaz (Black-White)





Takozlar

Rubber Buffers



Yan Bariyer Takozu

Side Buffer



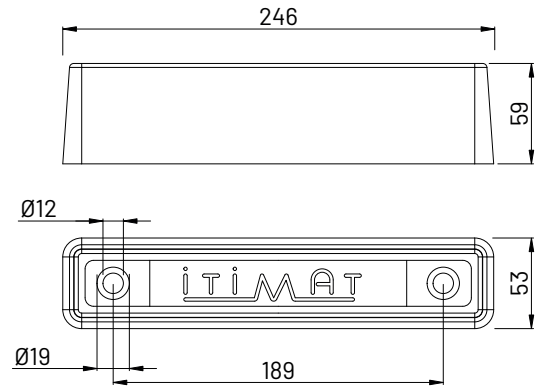
450-T10-001



0,900



30



Arka Bariyer Takozu 25 cm

Rear Buffer 25 cm



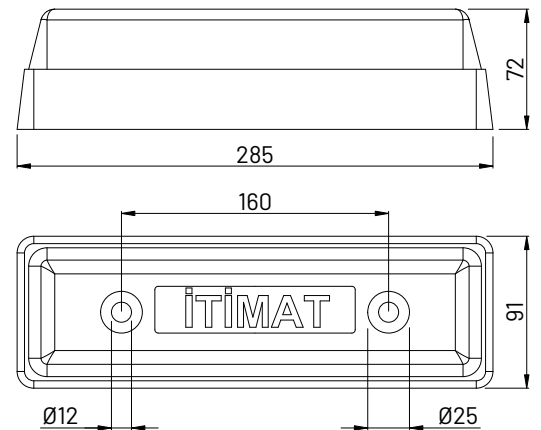
450-T11-001



0,750



25



Arka Bariyer Takozu 29 cm

Rear Buffer 29 cm



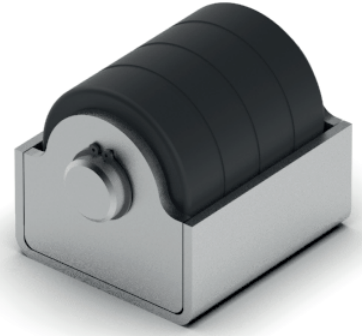
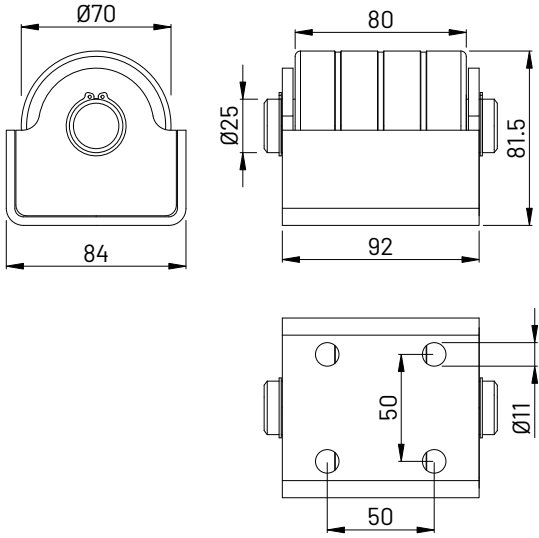
450-T11-002



1,700



15



Döner Takoz Tekli Küçük
 1-roller Buffer Small



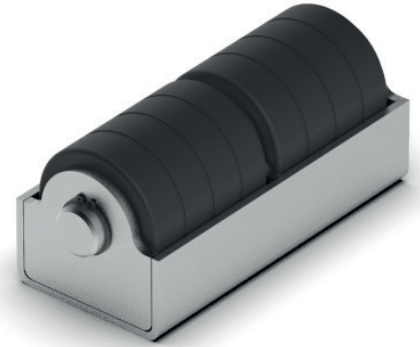
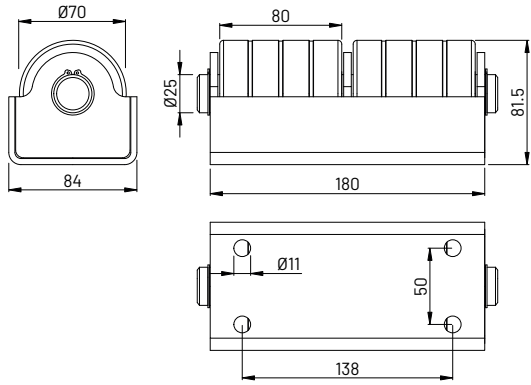
450-T12-001



1,700



10



Döner Takoz İkilı Küçük
 2-roller Buffer Small



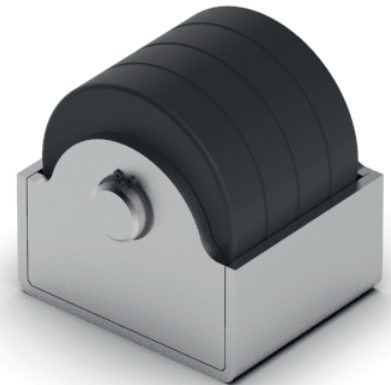
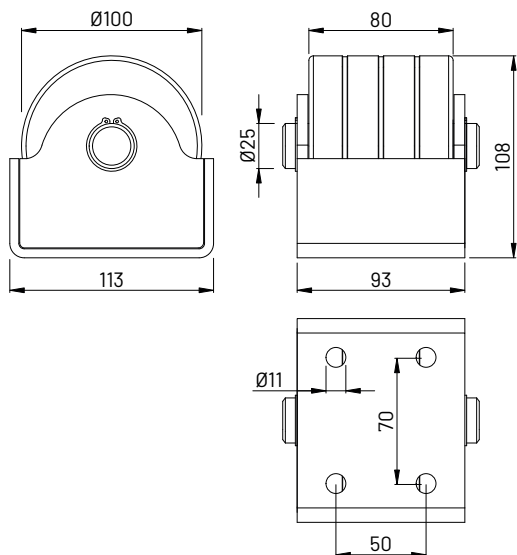
450-T12-002



3,100



8



Döner Takoz Tekli Büyük
 1-roller Buffer Large



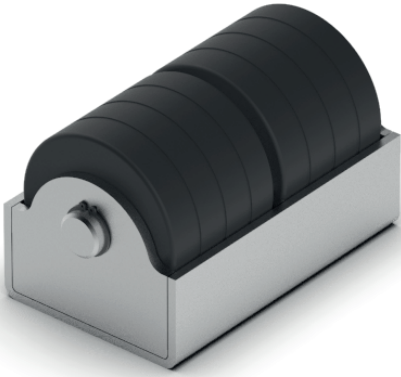
450-T12-003



2,450



10



Döner Takoz İkili Büyük
 2-roller Buffer Large



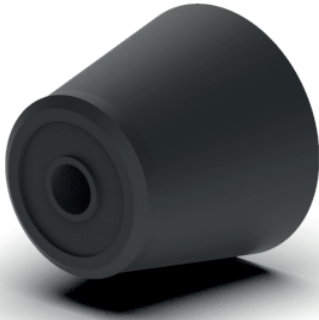
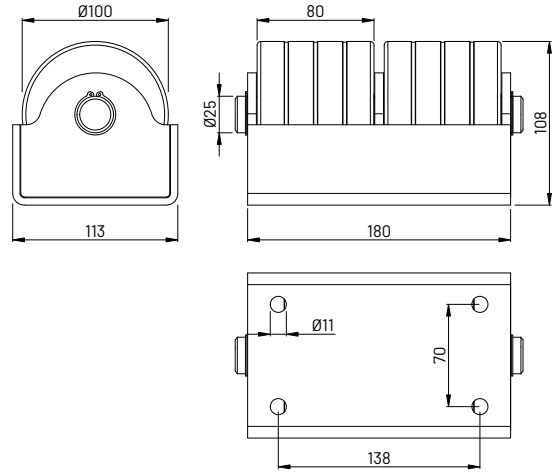
450-T12-004



4,500



6



Konik Takoz
 Conical Buffer



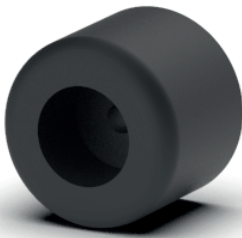
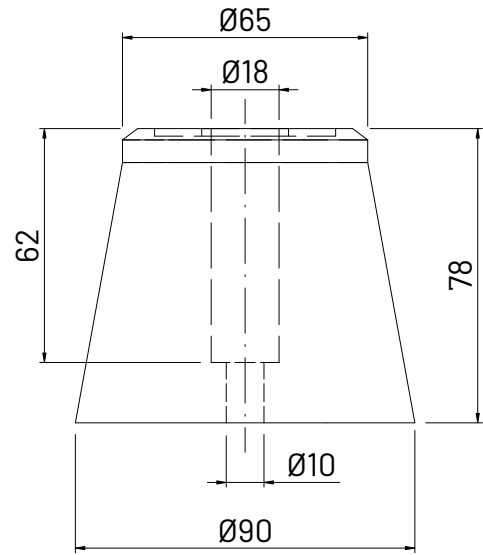
450-T13-001



0,370



50



Delikli Takoz
 Hollow Buffer



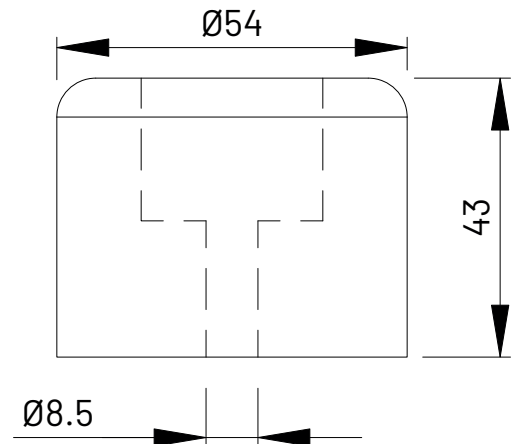
450-T14-001

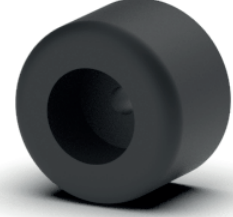
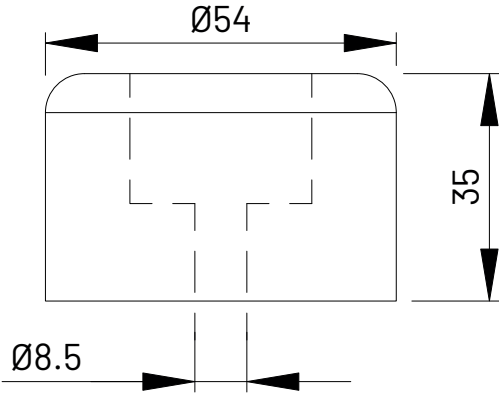


0,140



100





Delikli Takoz Küçük
Hollow Buffer



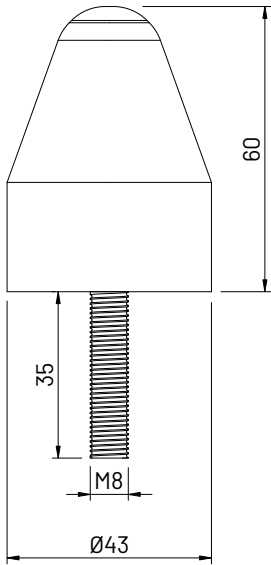
450-T14-002



0,110



100



Cıvatalı Takoz Küçük
Buffer with Threaded Stud Small



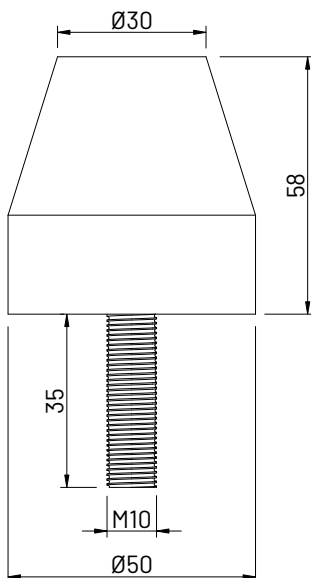
450-T15-001



0,115



100



Cıvatalı Takoz Büyük
Buffer with Threaded Stud Large



450-T15-002



0,145



100


Et Kancası Tekli Alüminyum
Meat Hook


450-E10-001

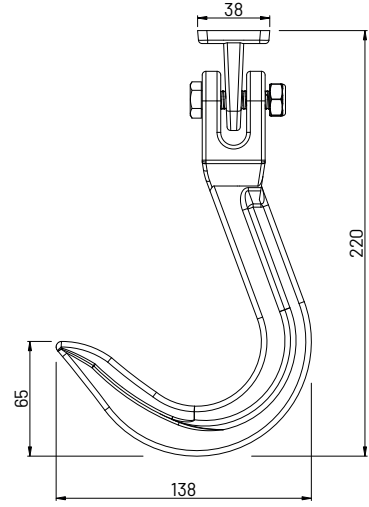


0,510



30

Alüminyum (Aluminium)


Et Kancası Yan Alüminyum
Meat Hook


450-E10-002

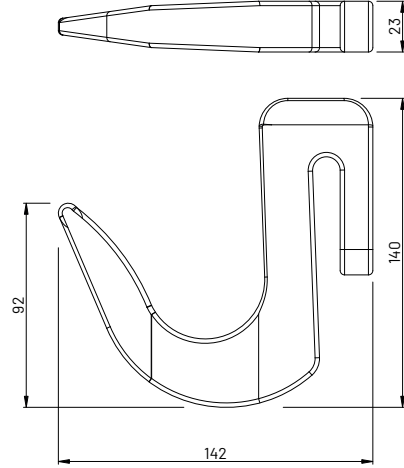


0,280



50

Alüminyum (Aluminium)


Et Kancası Çiftli Alüminyum
Meat Hook


450-E10-003

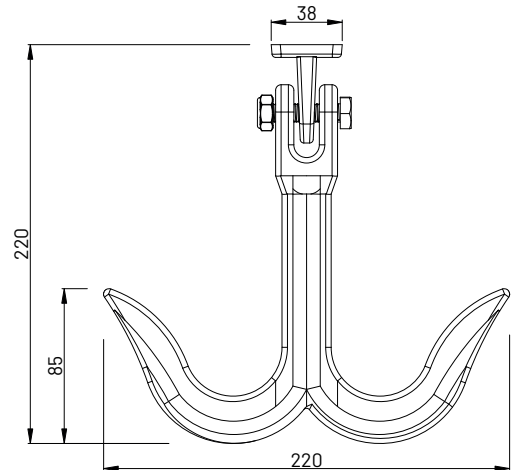


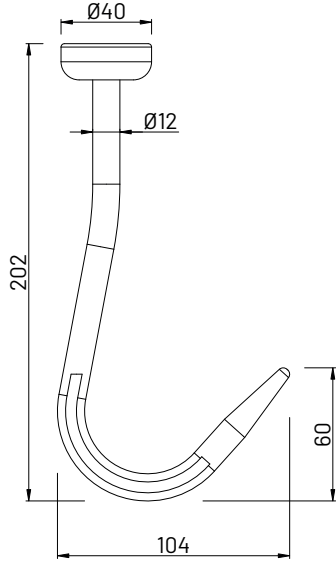
0,620



30

Alüminyum (Aluminium)

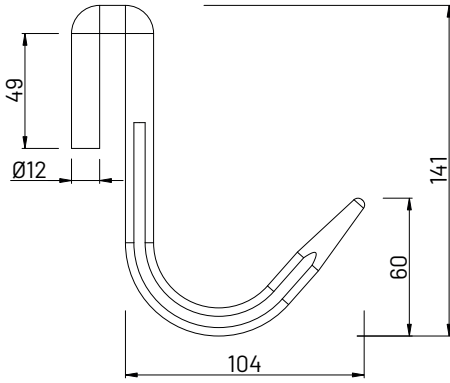




Et Kancası Tekli Krom
Meat Hook

Krom (SS)

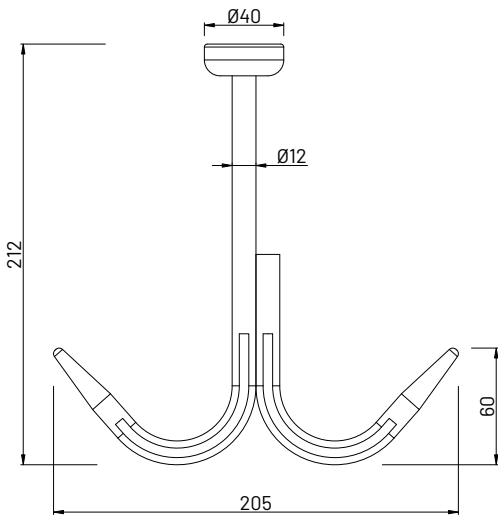
450-E10-004 0,270 50



Et Kancası Yan Krom
Meat Hook

Krom (SS)

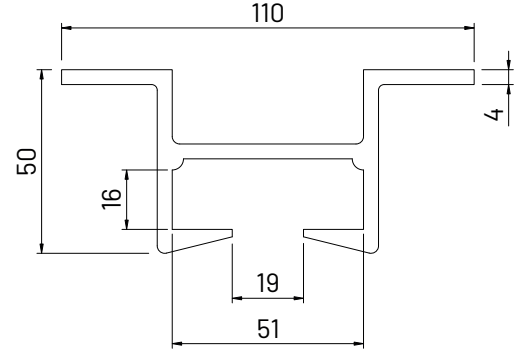
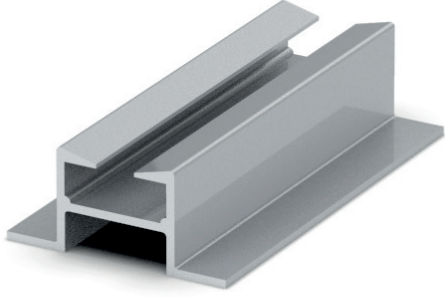
450-E10-005 0,240 50



Et Kancası Çiftli Krom
Meat Hook

Krom (SS)

450-E10-006 0,440 50



Et Rayı

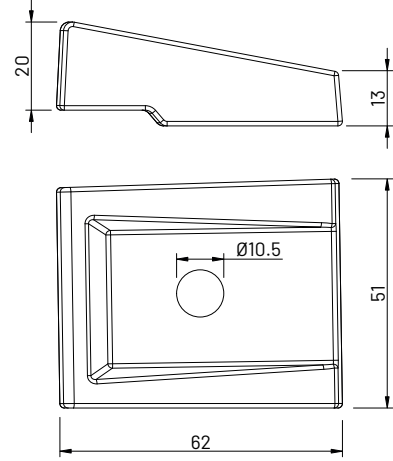
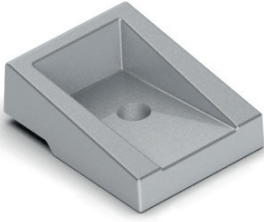
Rail for Meat Hook



Alüminyum (Aluminium)

450-E11-001

2,650



Et Rayı Braketi

Rail Bracket for Meat Hook

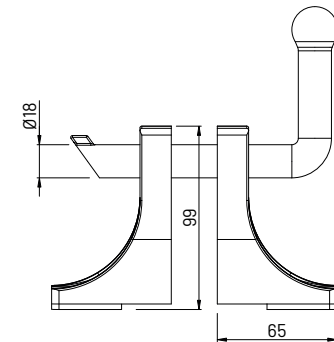
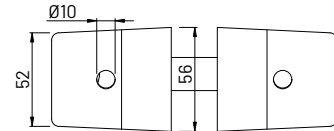


Alüminyum (Aluminium)

450-E12-001

0,100

100



Et Rayı Braketi

Rail Bracket for Meat Hook

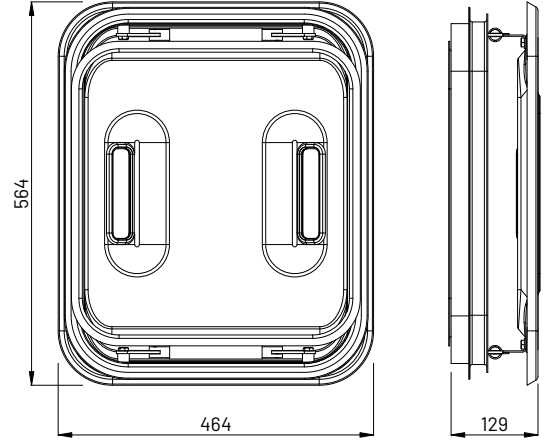
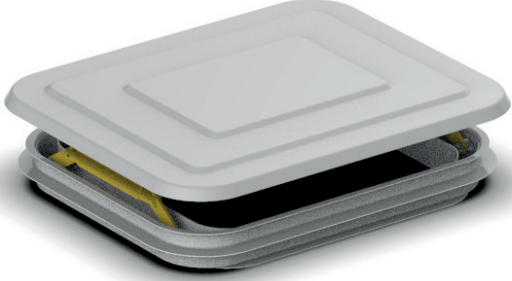


Alüminyum (Aluminium)

450-E12-002

0,630

30



Havalandırma Ventilator

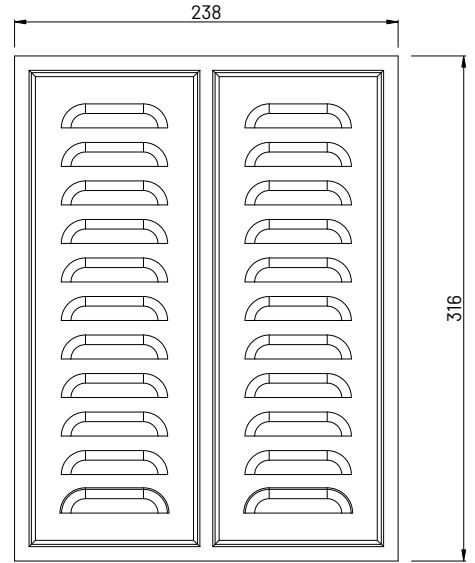
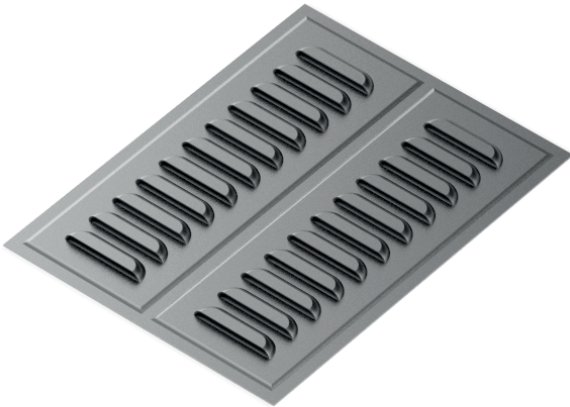
Boyali (Painted)



450-H10-002



8,000



Panjur Shutter

Alüminyum (Aluminium)



450-H11-002



0,200



50

Krom (SS)

450-H11-003

0,600

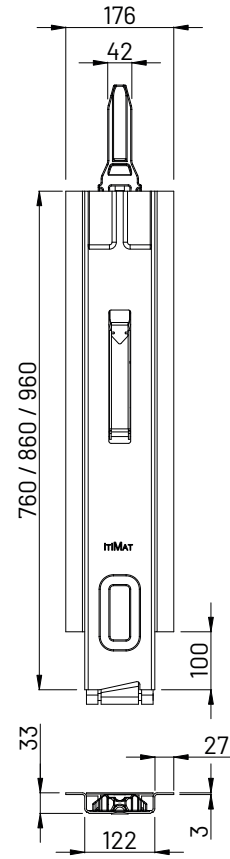
20



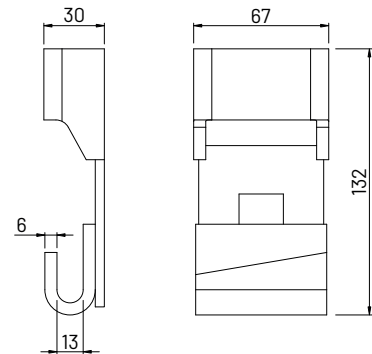
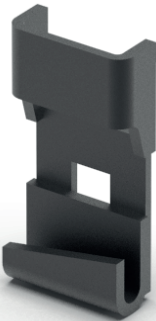


Treyler Kapak Ürünleri

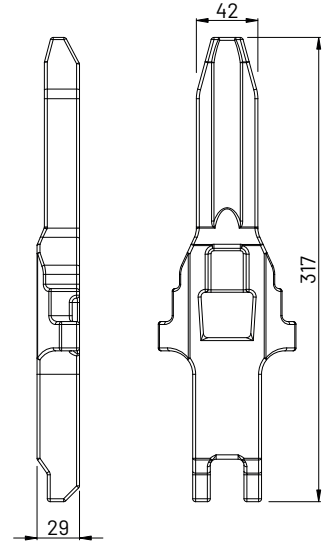
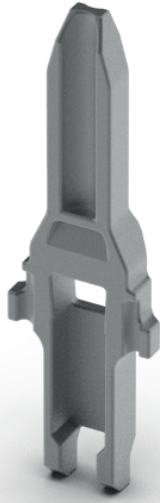
Trailer Pillars, Locks, Hinges


Kırma Baba
 Dropside Pillar

Üstü Kapalı (Without Cam)	450-D10-001	12,200
76 cm	450-D10-002	14,500
86 cm	450-D10-003	15,800
96 cm	450-D10-004	17,200


Kırma Baba Alt J
 Bearing for Dropside Pillar

	450-D10-005	0,560



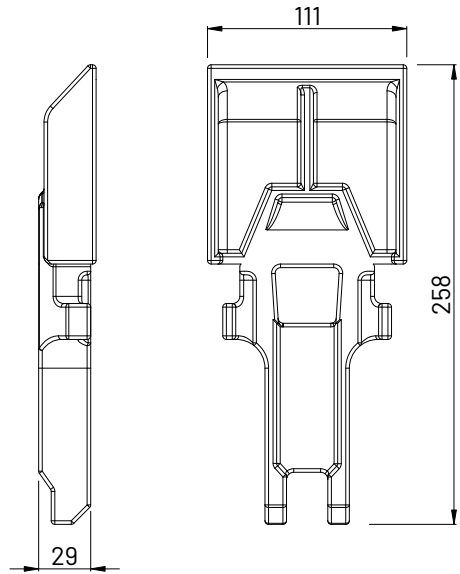
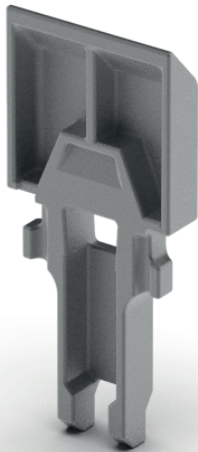
Kırma Baba Üst Füze
Connection Cam for Dropside Pillar



450-D10-006



2.000



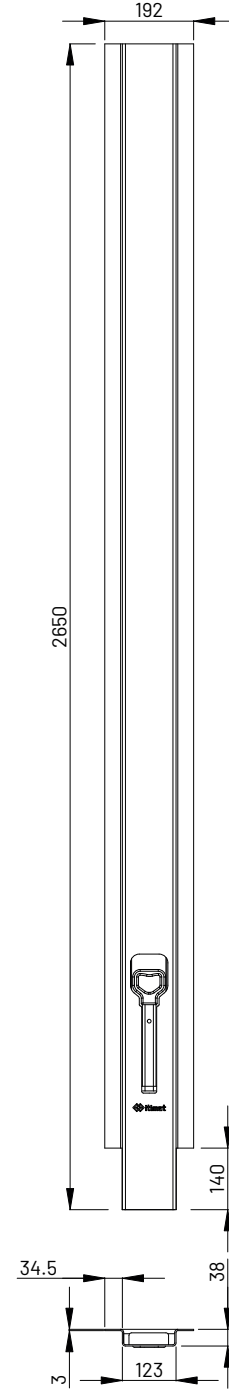
Kırma Baba Üst Kürek
Connection Cam for Dropside Pillar



450-D10-007



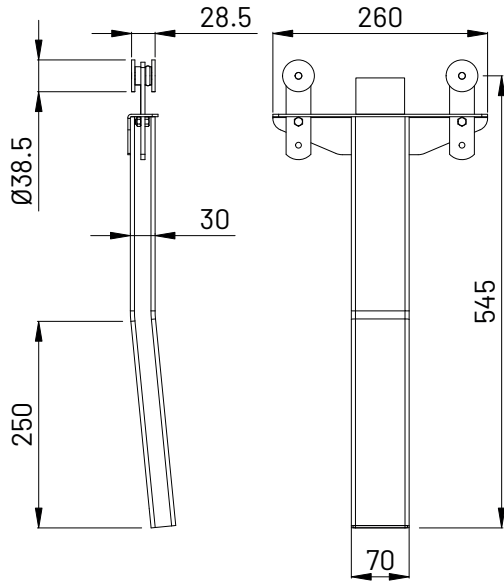
2.300

**Yürür Baba**
Sliding Pillar

450-D10-019



21,500



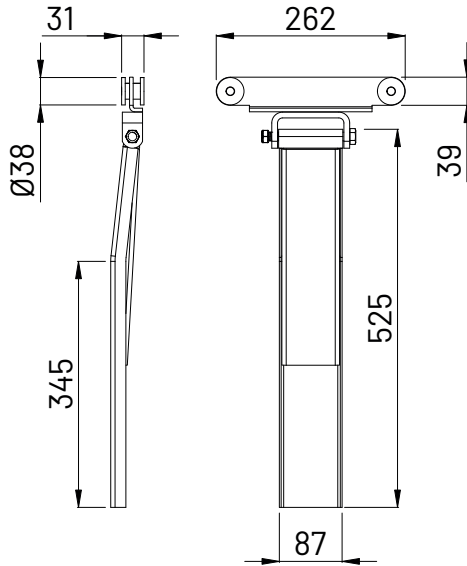
Yürür Baba Makarası
Top Roller for Sliding Pillar



450-D10-020



2,300



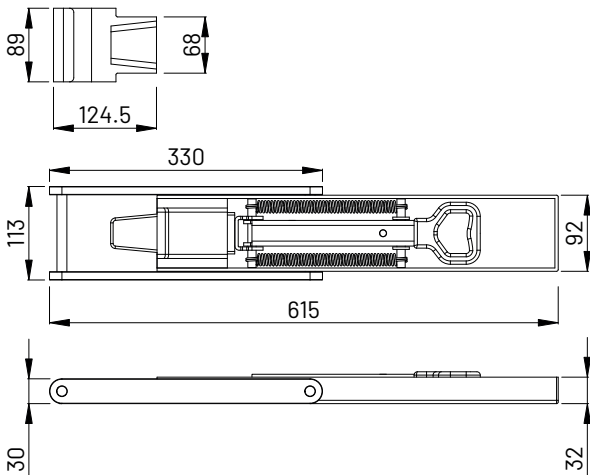
Yürür Baba Makarası
Top Roller for Sliding Pillar



450-D10-009



3,000



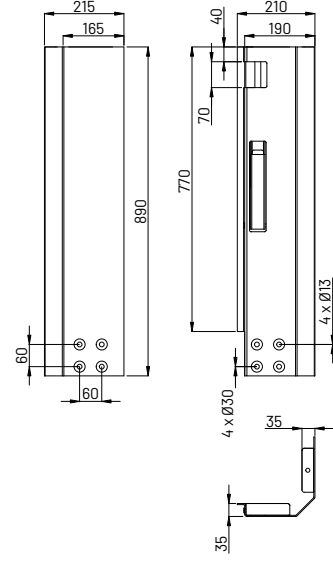
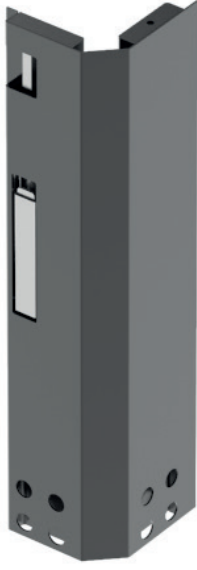
Yürür Baba Mekanizması
Mechanism for Sliding Pillar



450-D10-010



6,750



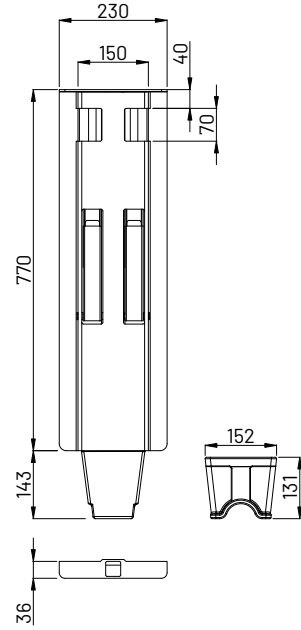
Ön Baba (Sağ-Sol)
Frontal Pillar (Left-Right)



450-D10-016



25,000



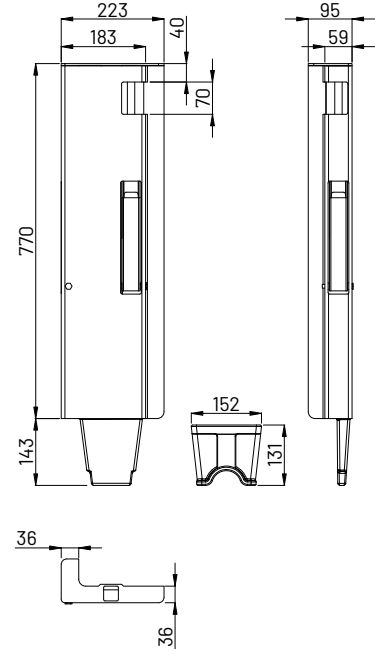
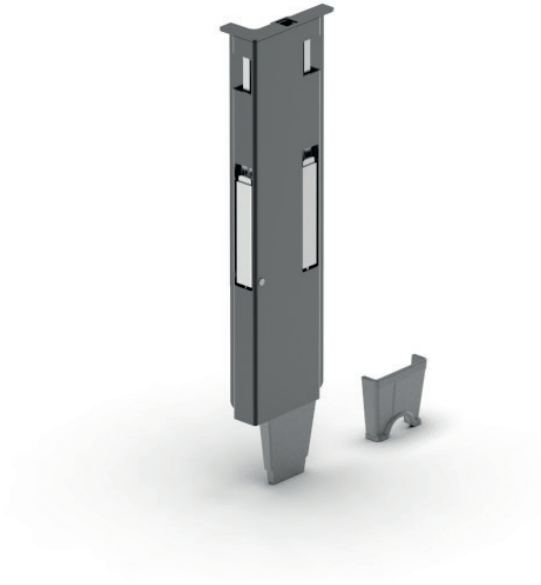
Orta Baba
Middle Pillar



450-D10-012



18,500



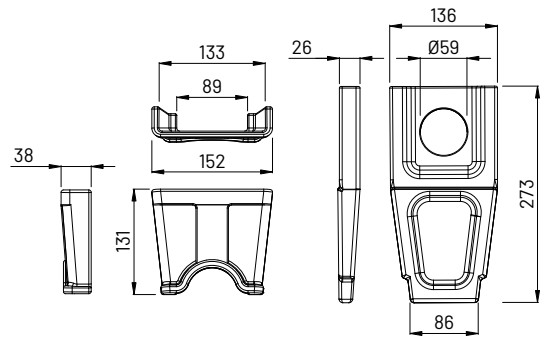
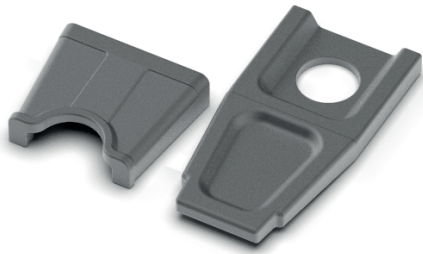
Arka Baba (Sağ-Sol)
Rear Pillar (Left-Right)



450-D10-014



19,500



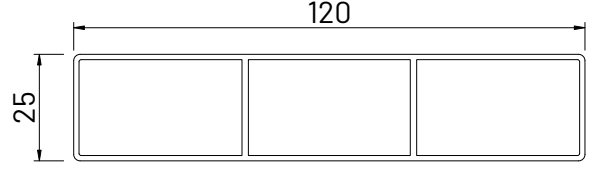
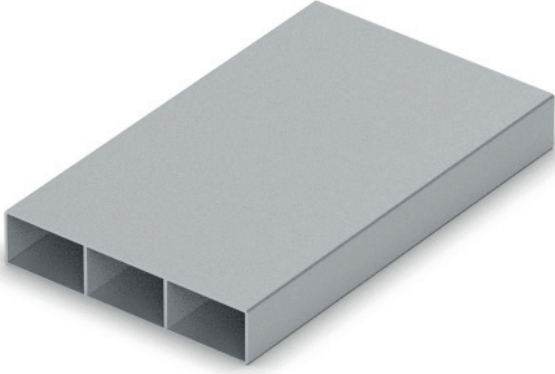
Çelik Baba Yatağı
Forged Pillar Socket



450-D10-017



5,800

**Tahtalık Alüminyum Profil**

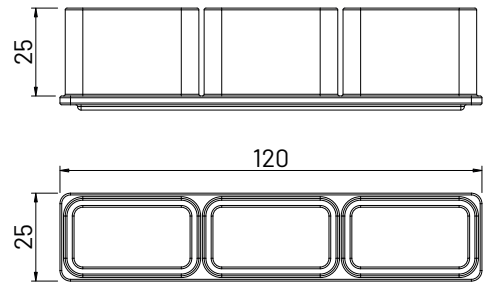
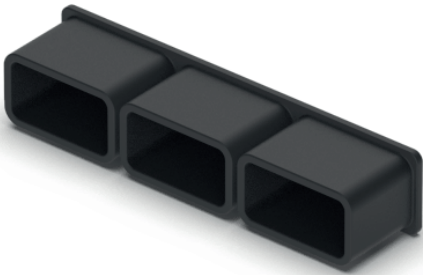
Aluminium Profile



450-D10-021



1,100

**Tahtalık Profili Tapası**

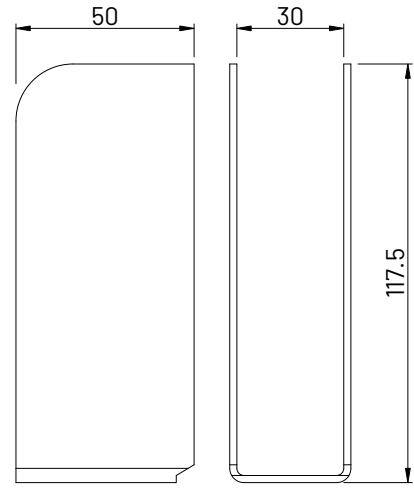
Plug for Aluminium Profile



450-D10-022



0,030



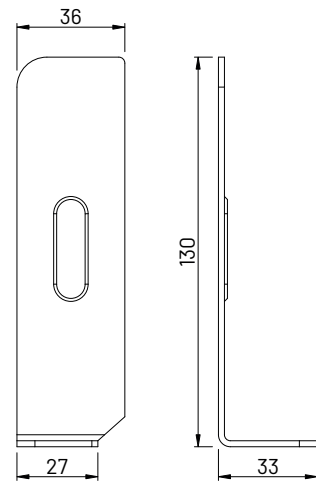
Tahtalık U Tipi Yuva
Socket



450-D10-023



0,180



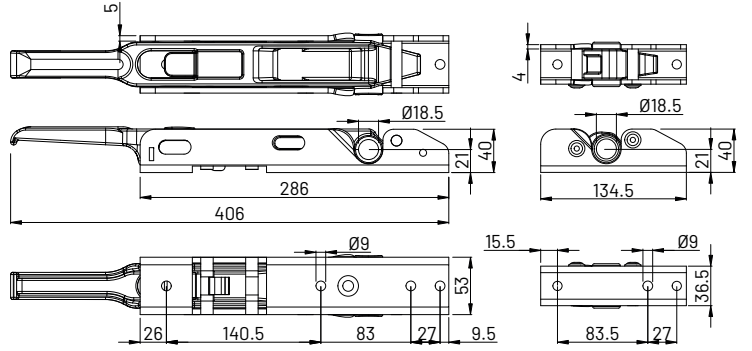
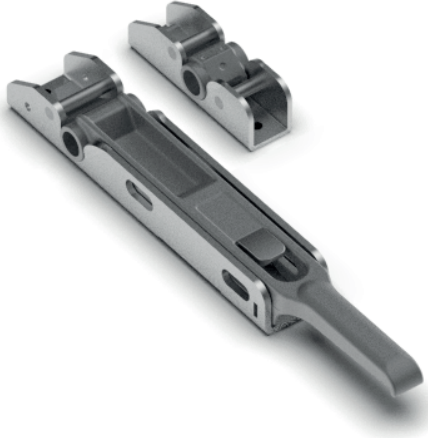
Tahtalık L Tipi Yuva
Socket



450-D10-024



0,075



Arka Kapı Gizli Kilit

Rear Door Lock with Cam & Keeper



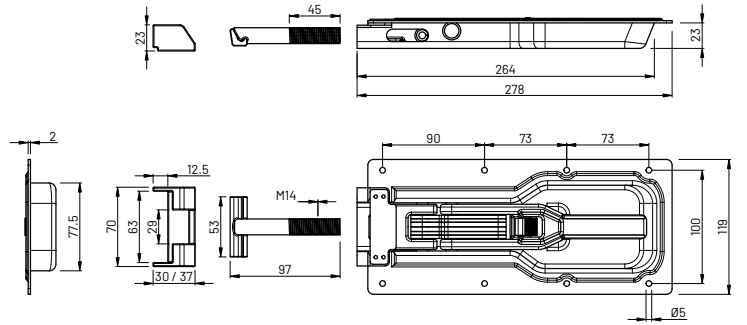
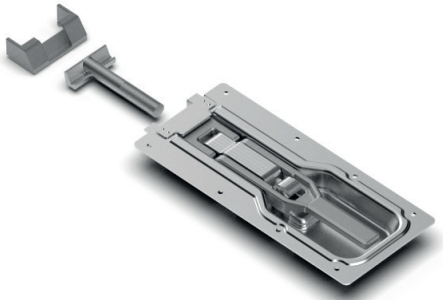
450-D14-001



2,950



8



T Başı Kilit

Horizontal Dropside Lock



450-D12-007



1,700



15

Takım (With Cam & Keeper)

T Parçası (Cam)

450-D12-008

0,150

Karşılık 37 mm (Keeper 37 mm)

450-D12-009

0,150

Karşılık 30 mm (Keeper 30 mm)

450-D12-012

0,130



Dikey Kilitleme Sistemi Profil

Vertical Dropside Lock in Profile



450-D12-001



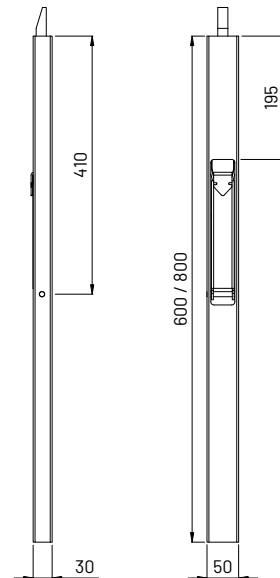
2,100

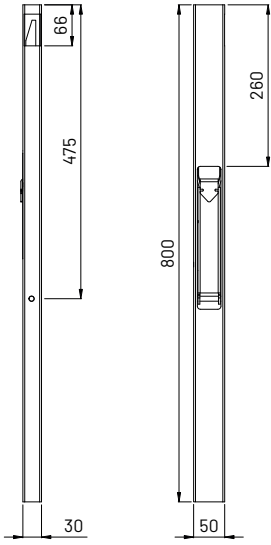
60 cm

450-D12-002

2,500

80 cm





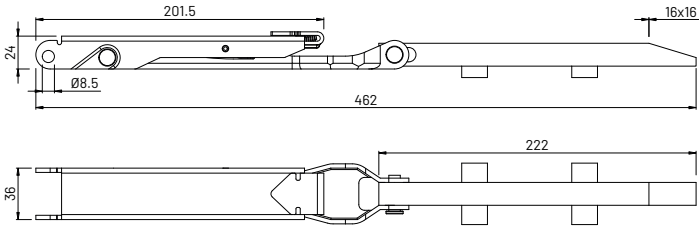
Dikey Kilitleme Sistemi Profil Gizli
Vertical Dropside Lock in Profile



450-D12-003



2,500



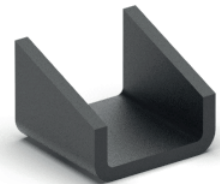
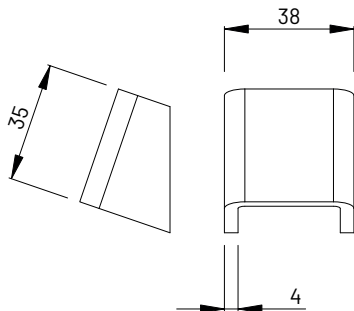
Dikey Kilitleme Sistemi Mekanizması Profil
Vertical Dropside Lock for Profile



450-D12-014



1,000



Profil Dikey Kilit Karşılığı
Keeper for Vertical Dropside Lock in Profile



450-D12-019



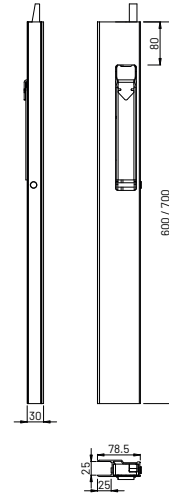
0,075


Dikey Kilitleme Sistemi Alüminyum

Vertical Dropside Lock in Aluminium Profile



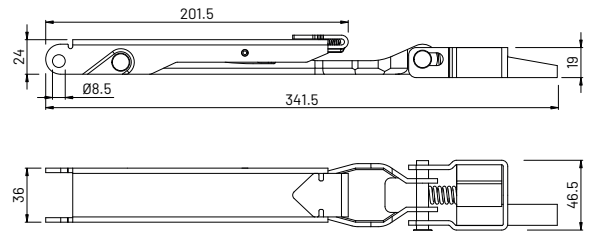
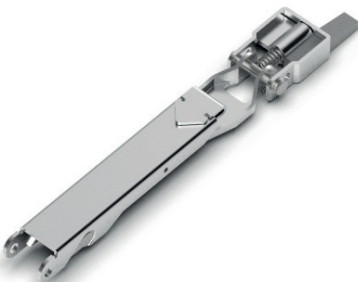
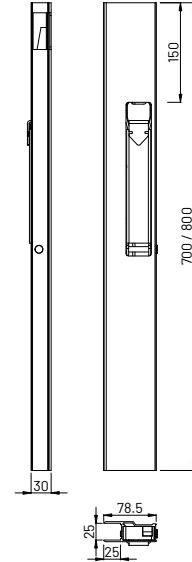
60 cm	450-D12-016	1,600
70 cm	450-D12-004	1,750


Dikey Kilitleme Sistemi Alüminyum Gizli

Vertical Dropside Lock in Aluminium Profile



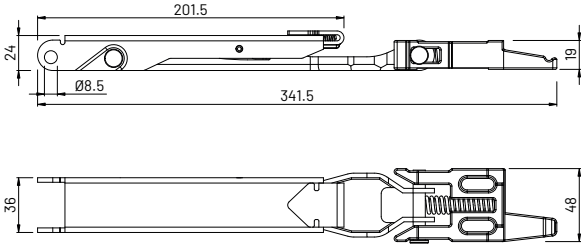
70 cm	450-D12-017	1,750
80 cm	450-D12-005	1,900


Dikey Kilitleme Sistemi Mekanizması Alüminyum

Vertical Dropside Lock for Aluminium Profile



450-D12-018	0,750
-------------	-------



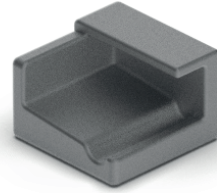
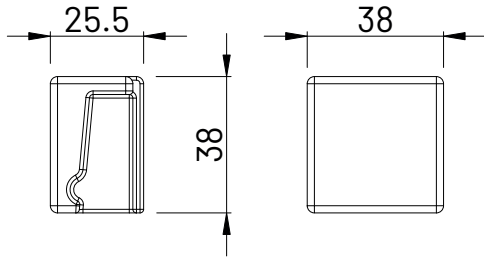
Dikey Kilitleme Sistemi Mekanizması Alüminyum
Vertical Dropside Lock for Aluminium Profile



450-D12-006



0,800



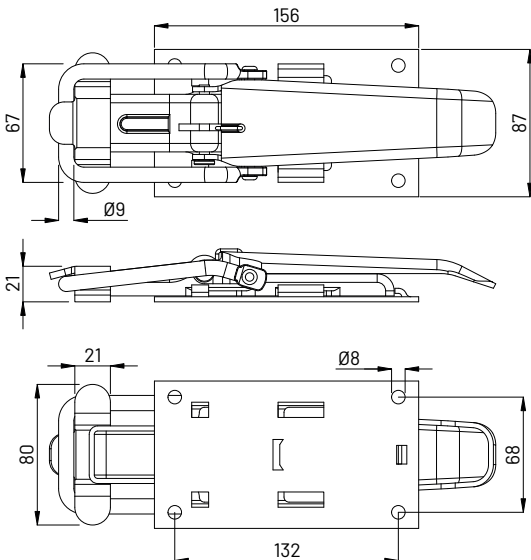
Alüminyum Dikey Kilit Karşılığı
Keeper for Vertical Dropside Lock in Aluminium Profile



450-D12-020



0,130



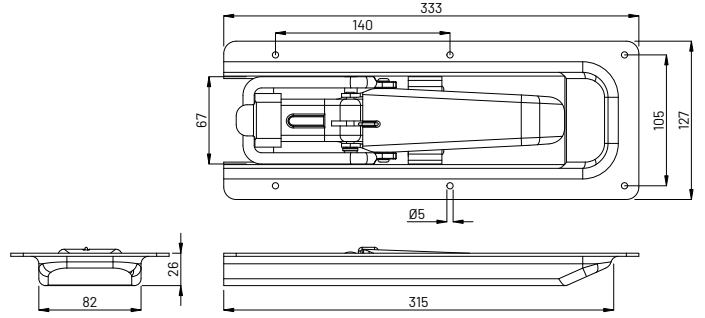
Düz Dorse Kildi Dıştan
External Dropside Fastener



450-D12-010



1,000



Düz Dorse Kilidi Gömme

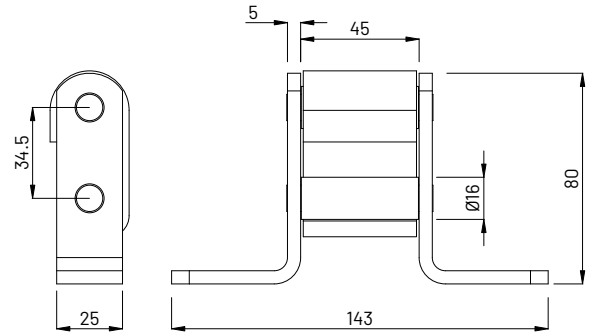
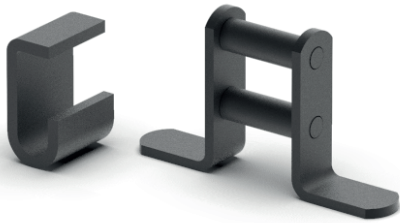
Recessed Dropside Fastener



450-D12-011



1,400



Silme Dorse Menteşesi

Dropside Hinge



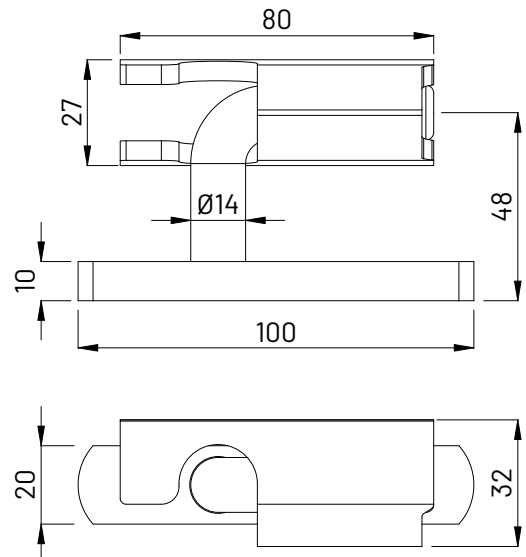
450-D13-001



0,570



50



Yuvarlak Dorse Menteşesi Sac Kapak

Dropside Hinge



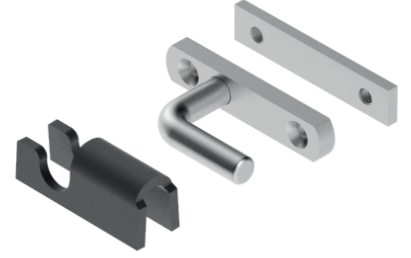
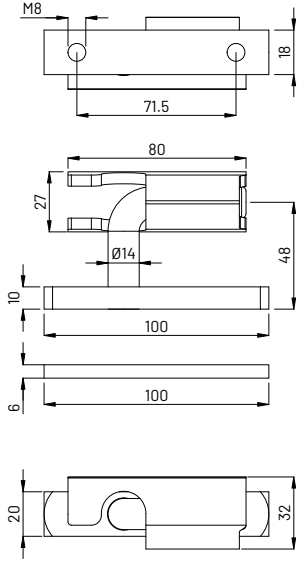
450-D13-002



0,410



50



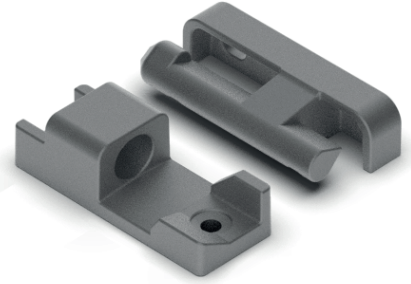
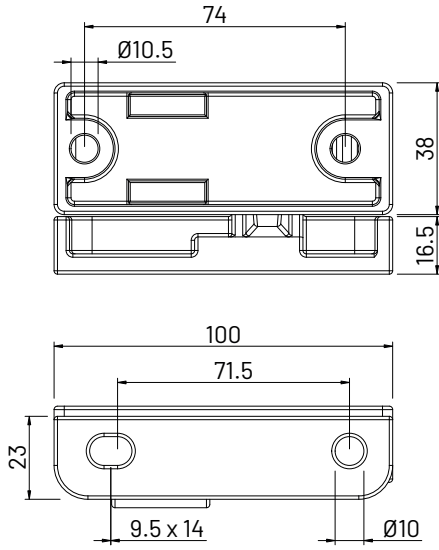
Yuvarlak Dorse Mentşesi Alüminyum Kapak

Dropside Hinge

450-D13-003

0,540

50



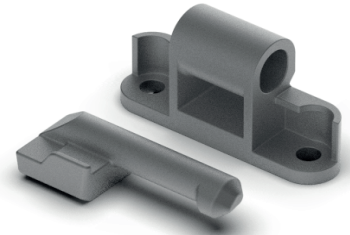
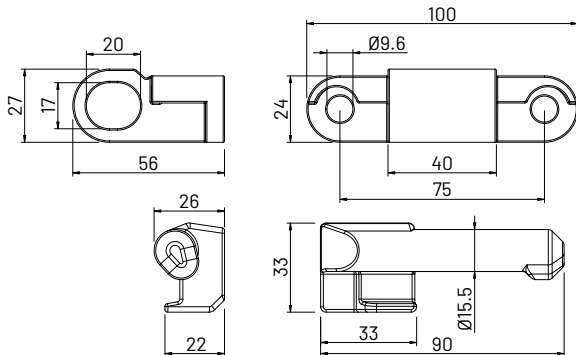
Döküm Mentşe

Dropside Hinge

450-D13-004

0,630

40



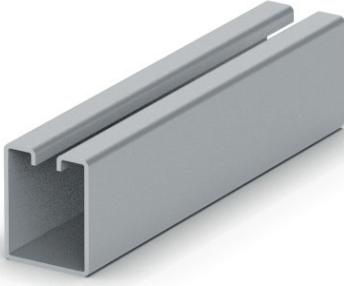
Mega Mentşe

Dropside Hinge

450-D13-008

0,570

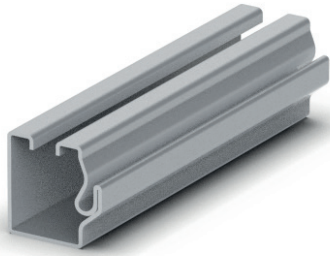
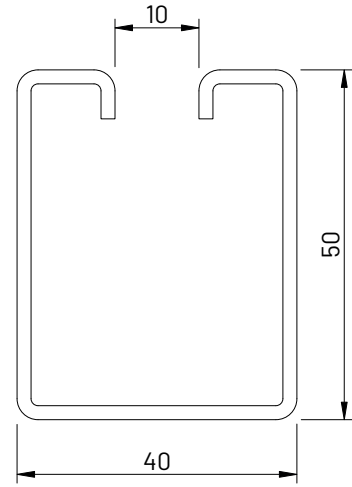
40


Baba Rayı
 Sliding Pillar Rail


450-B15-001



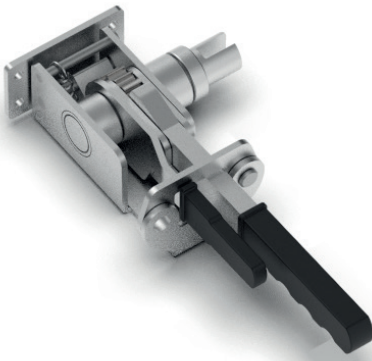
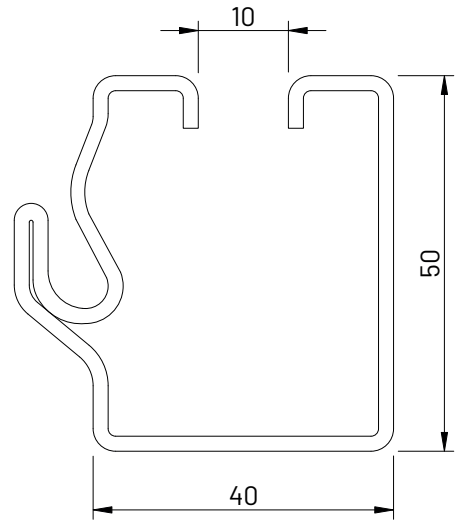
2,000


Perde Rayı
 Side Curtain Rail


450-B15-002



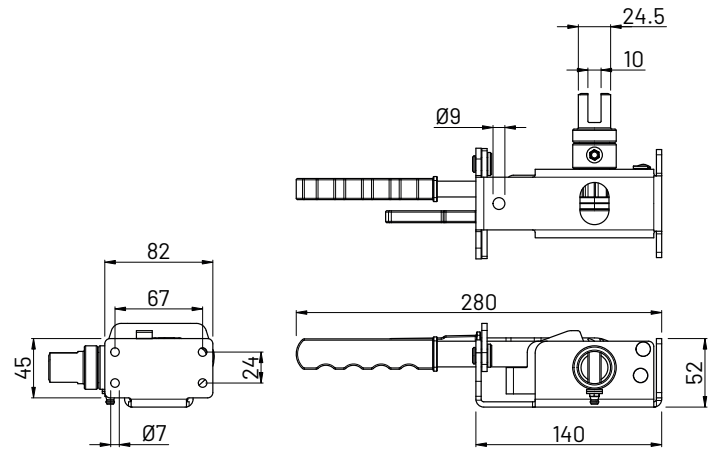
2,500

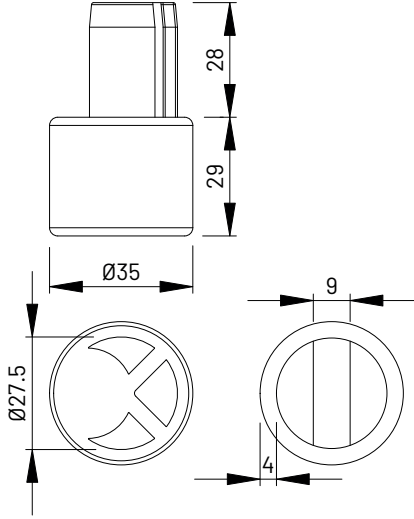

Branda Germe Aparatı
 Curtain Tensioner


450-B10-001



1,600





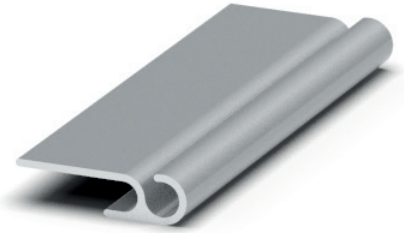
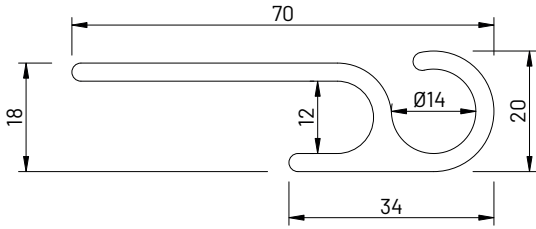
Adaptör
Adaptor



450-B10-002



0,250



Branda Ön Gergi Profili

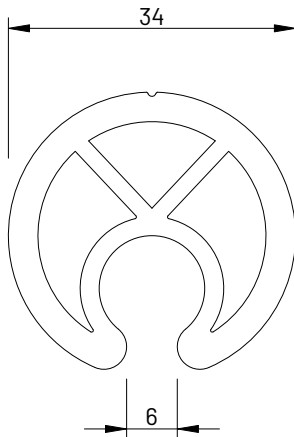
Aluminium Profile for Curtain Tensioner



450-B16-001



1,000



Branda Arka Gergi Profili

Aluminium Profile for Curtain Tensioner



450-B16-002



1,200


Branda Tekerli
 Curtain Roller

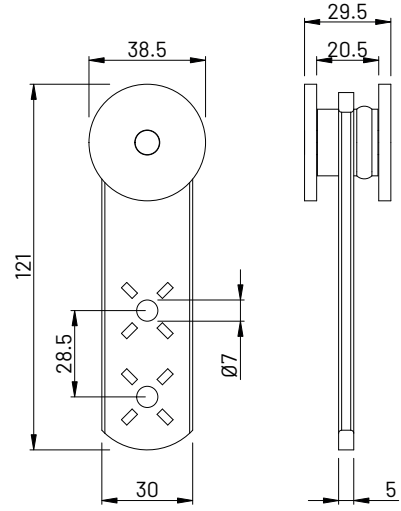

450-B11-001



0,230



100


Branda Tekerli Bükülü
 Curtain Roller

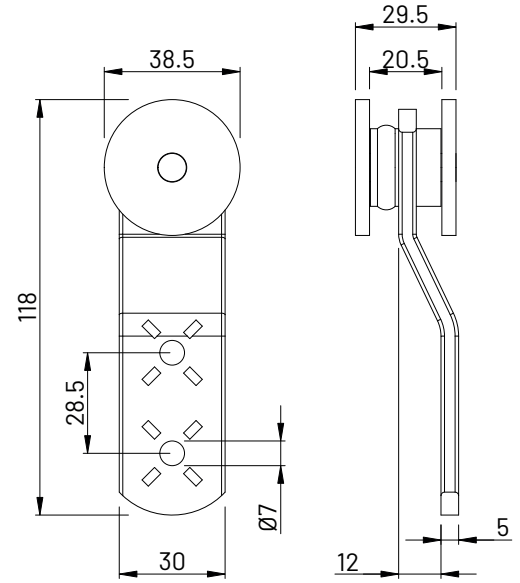

450-B11-002



0,230



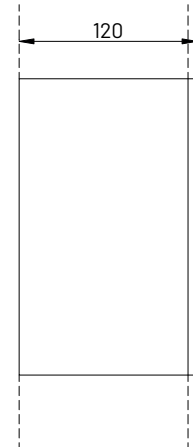
100

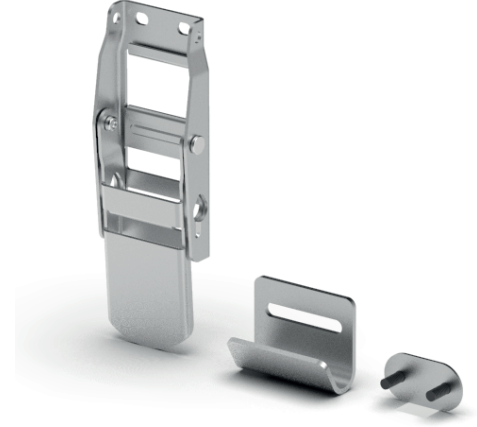
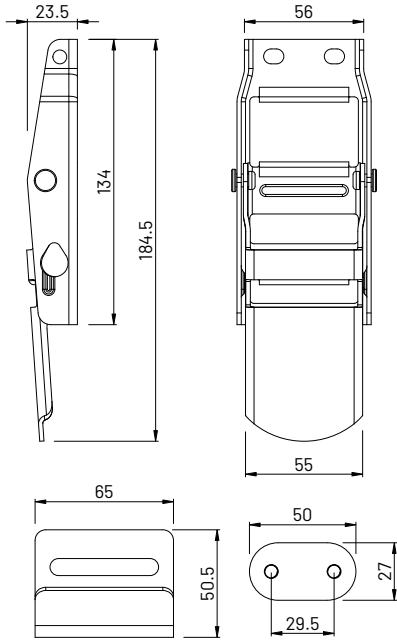

Perde Lastiği
 Rubber Curtain Pelmet


450-B12-001



0,500



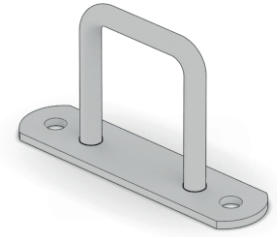
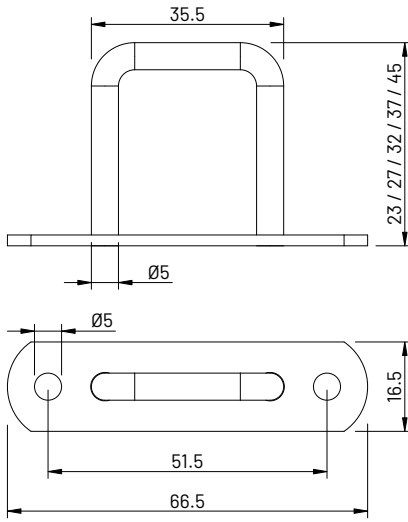


Branda Tokası

Buckle

Galvanizli (ZP)
Krom (SS)

	📄	⚖️	📦
Galvanizli (ZP)	450-B13-001	0,330	50
Krom (SS)	450-B13-002		

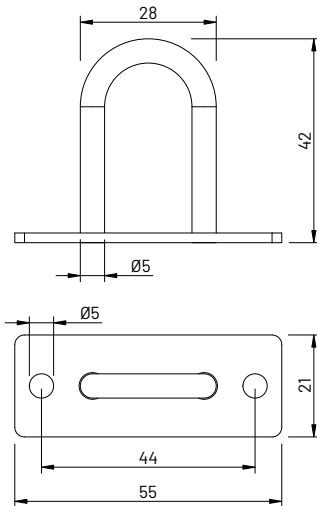


Branda Kancası Kare

Lashing Ring

23 mm
27 mm
32 mm
37 mm
45 mm

	📄	⚖️	📦
23 mm	450-B14-480	0,026	
27 mm	450-B14-481	0,027	
32 mm	450-B14-482	0,028	250
37 mm	450-B14-483	0,030	
45 mm	450-B14-484	0,032	



Branda Kancası Yuvarlak

Lashing Ring

450-B14-485

0,031

250


Branda Kancası Yuvarlak 4 Delikli
Lashing Ring

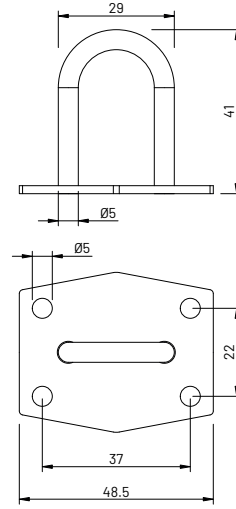

450-B14-486



0,039



250


Branda Kancası Oynar Baş (Sabit)
Lashing Ring

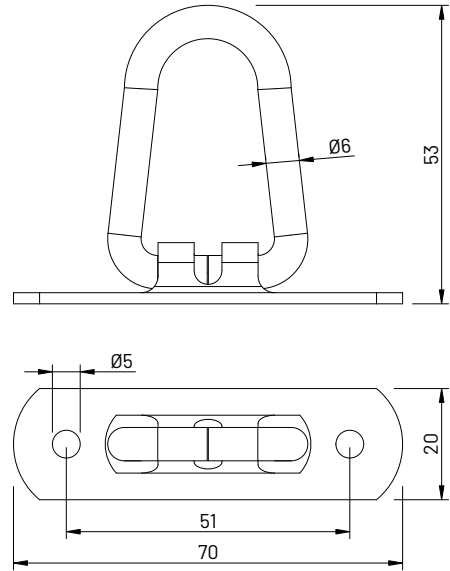

450-B14-487



0,048



250


Branda Kancası Oynar Baş (Seyyar)
Lashing Ring


450-B14-871



0,032



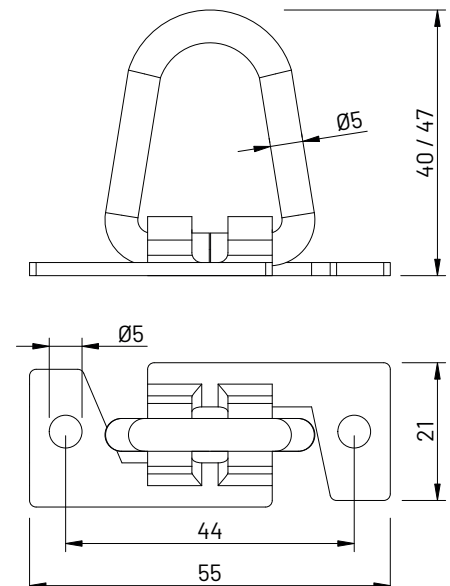
250

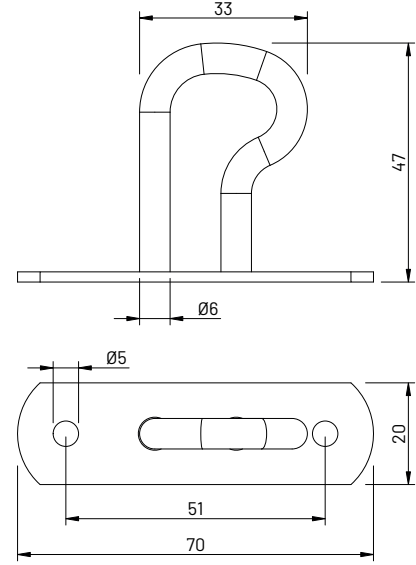
40 mm

47 mm

450-B14-488

0,034





Branda Kancası Radüslü
Lashing Ring



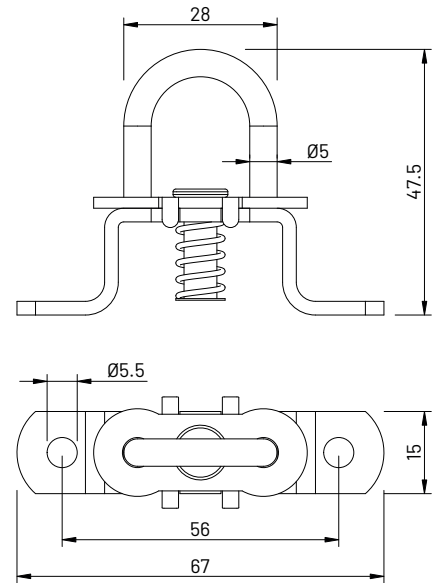
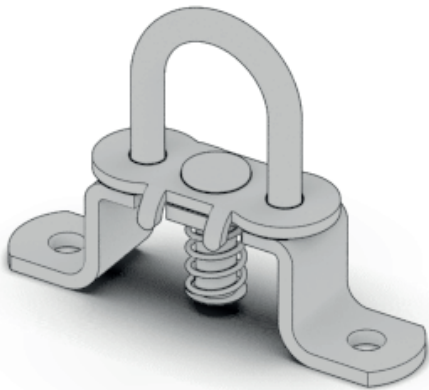
450-B14-489



0,044



250



Branda Kancası Yaylı
Lashing Ring



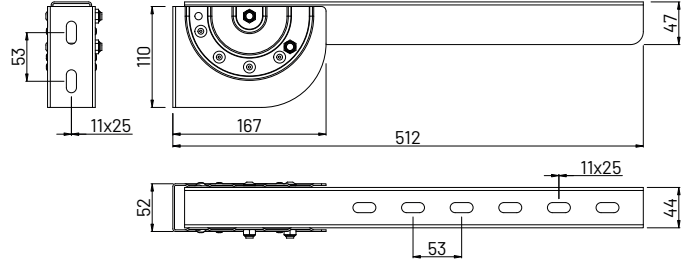
450-B14-490



0,048



250



Bariyer Ayağı Bilyalı Kısa

Leg for Side Underrun Bar Short



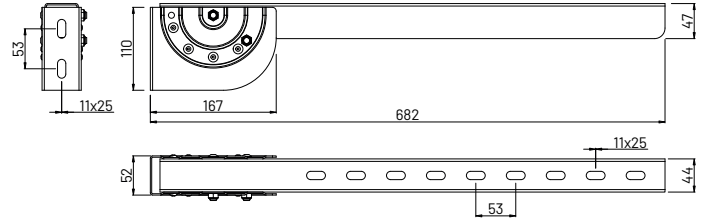
450-U10-004



1,650



12



Bariyer Ayağı Bilyalı Uzun

Leg for Side Underrun Bar Long



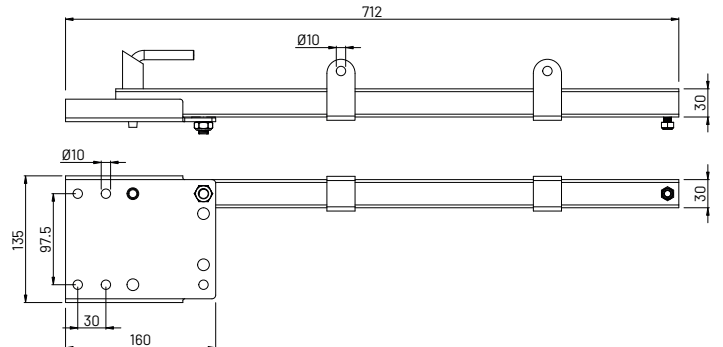
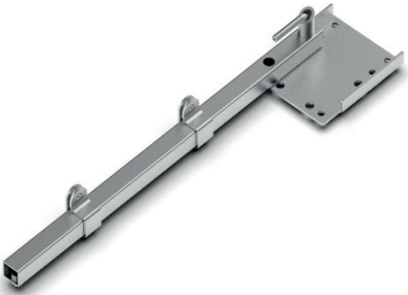
450-U10-005



1,900



12



Bariyer Ayağı Mekanizmalı

Leg for Side Underrun Bar



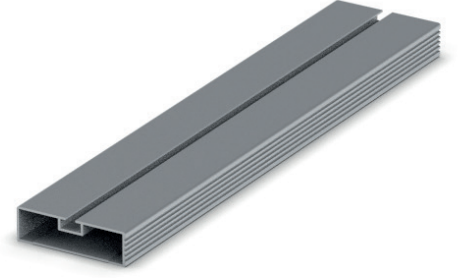
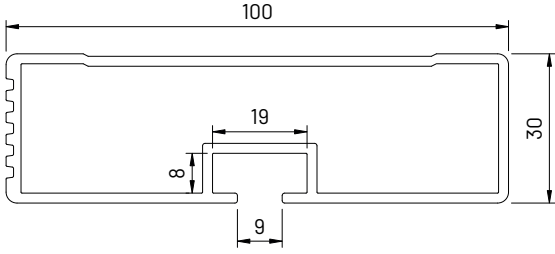
450-U10-003



2,000



10



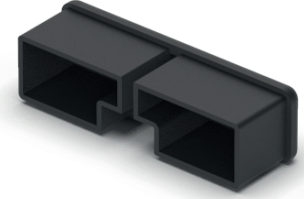
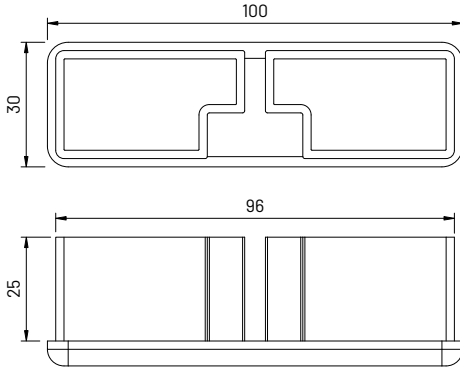
Bariyer Alüminyum Profil
Aluminium Side Underrun Bar



450-U11-001



1,000



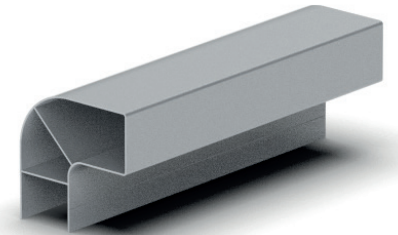
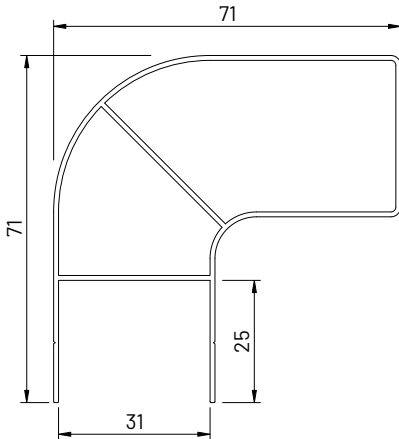
Bariyer Alüminyum Tapası
Plug for Aluminium Side Underrun Bar



450-U12-001



0,023



Bariyer Köşe Alüminyum Profil
Aluminium Corner Profile



450-U13-001



1,000



Bariyer Köşe Alüminyum Tapası

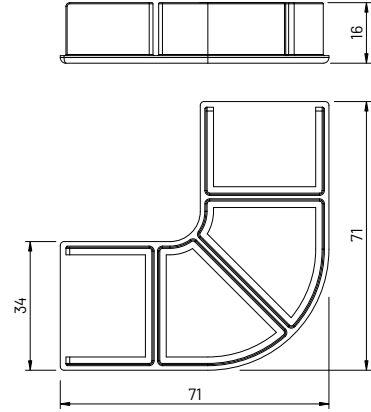
Plug for Aluminium Corner Profile



450-U14-001



0,015



Bariyer Köşe Çiftli Plastik

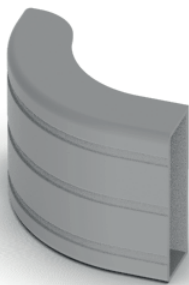
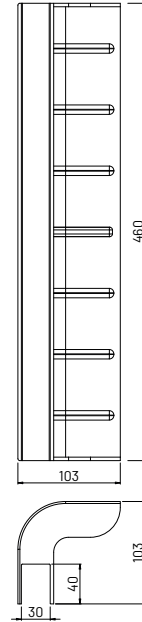
Plug for Aluminium Side Underrun Bar



450-U15-001



0,420



Bariyer Köşe Tekli Plastik

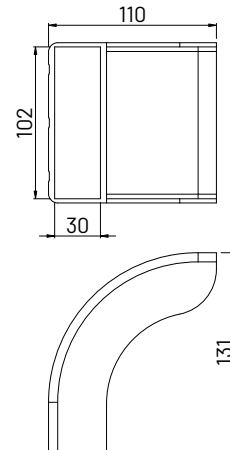
Plug for Aluminium Side Underrun Bar

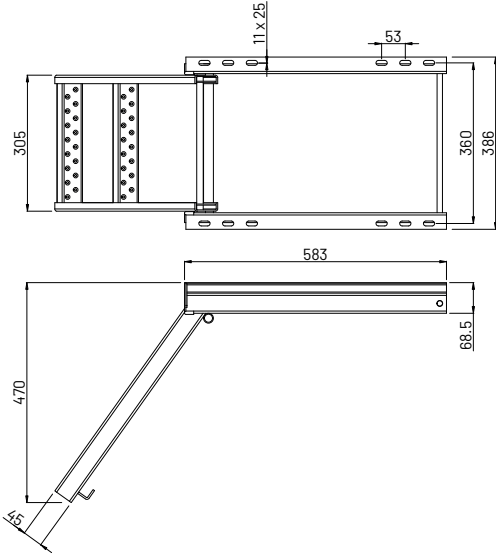


450-U15-002



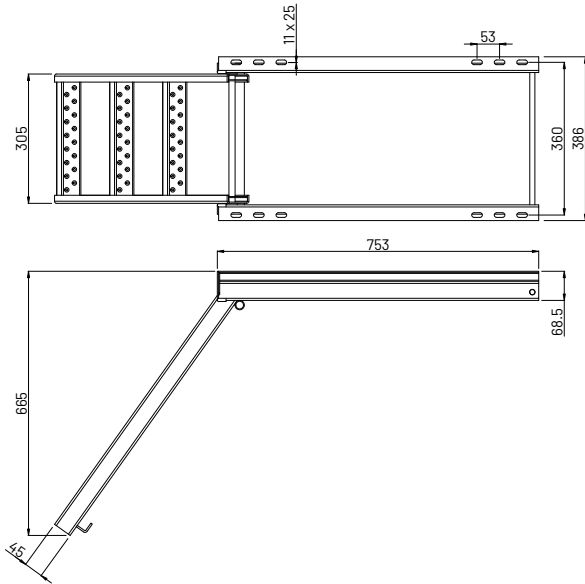
0,100





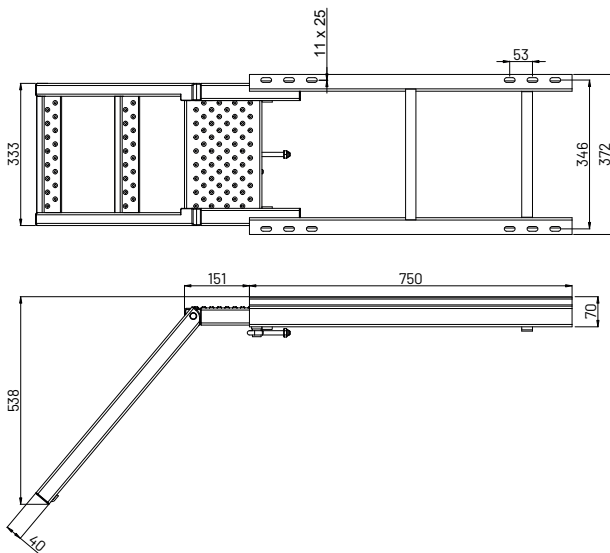
İkili Merdiven
2-foot Ladder

450-L10-001	6,700	2



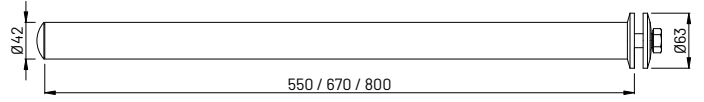
Üçlü Merdiven
3-foot Ladder

450-L11-001	8,400	2



Platformlu Merdiven
Ladder with Platform

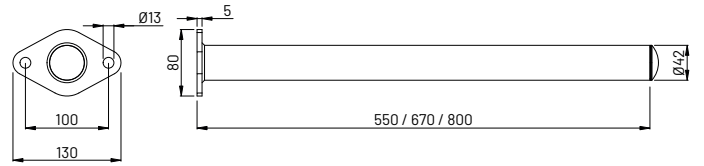
450-L11-002	10,500	2



Çamurluk Borusu

Tube for Mudguard

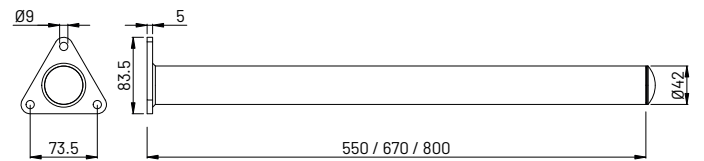
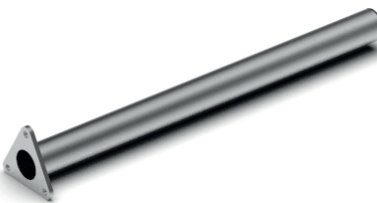
55 cm	450-C10-001	1,150	
67 cm	450-C10-002	1,350	10
80 cm	450-C10-003	1,550	



Çamurluk Borusu 2 Delikli

Tube for Mudguard

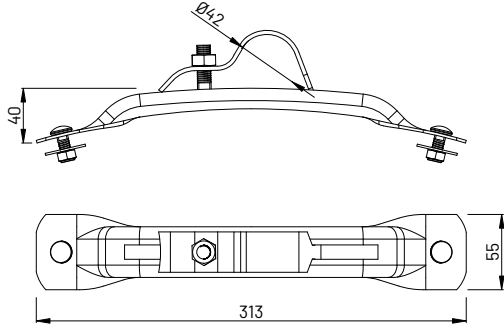
55 cm	450-C10-004	1,050	
67 cm	450-C10-005	1,250	10
80 cm	450-C10-006	1,450	



Çamurluk Borusu 3 Delikli

Tube for Mudguard

55 cm	450-C10-007	0,950	
67 cm	450-C10-008	1,150	10
80 cm	450-C10-009	1,350	



Çamurluk Keleçesi Küçük

Mudguard Clamp Small



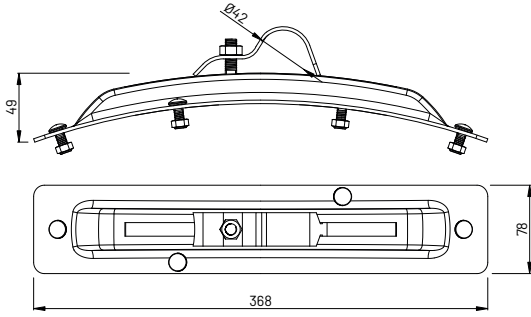
450-C11-001



0,420



50



Çamurluk Keleçesi Büyük

Mudguard Clamp Large



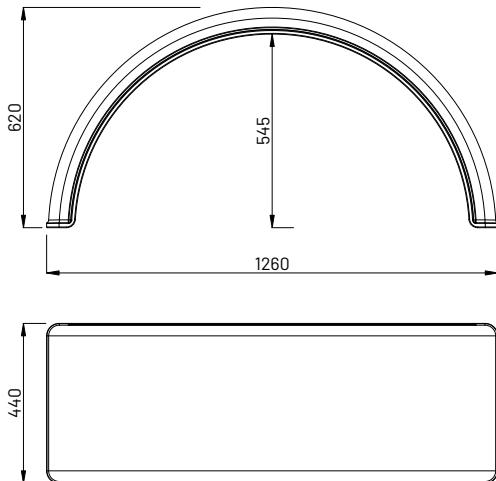
450-C11-002



0,680



50



Tekli Çamurluk Düz 45x200

1-wheel Mudguard 45x200



450-C12-002



3,700



Çiftli Çamurluk Düz 65x210

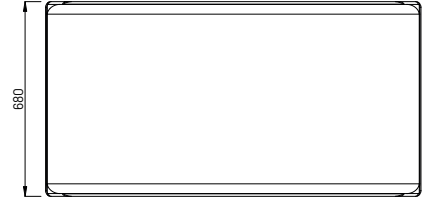
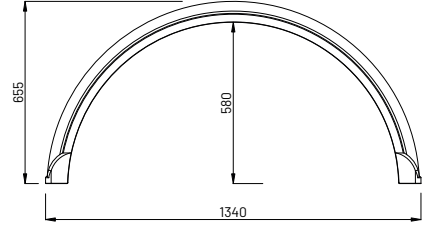
2-wheel Mudguard 65x210



450-C12-014



6,000



Tekli Çamurluk Üstü Düz 30x153

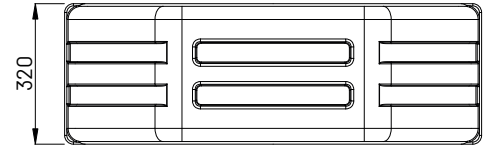
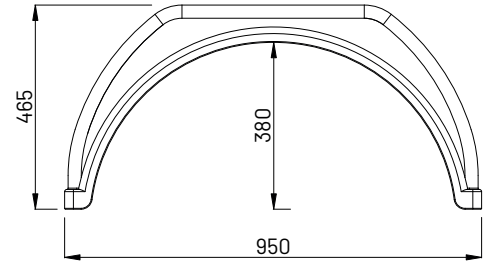
1-wheel Mudguard 30x153



450-C12-021



2,400



Çiftli Çamurluk Üstü Düz 50x146

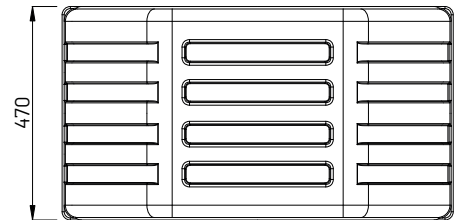
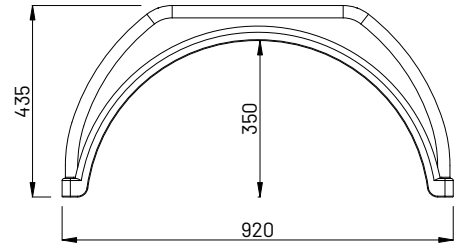
2-wheel Mudguard 50x146

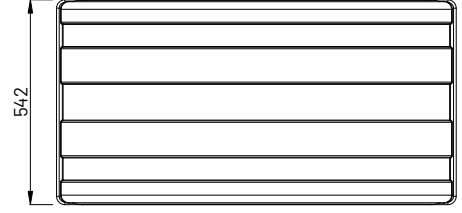
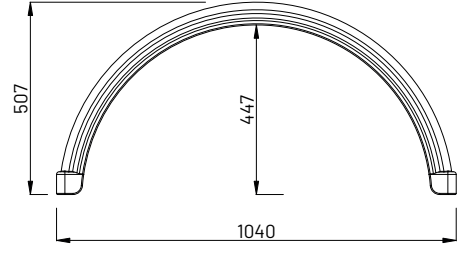


450-C12-028



3,200





Çiftli Çamurluk Kanallı 53x160

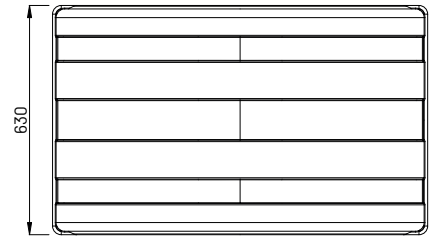
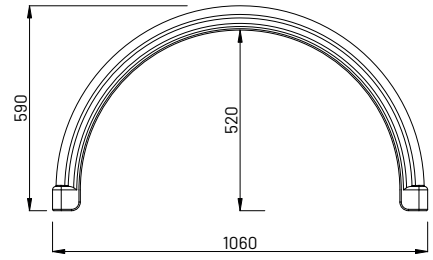
2-wheel Mudguard 53x160



450-C12-025



3,300



Çiftli Çamurluk Kanallı 62x175

2-wheel Mudguard 62x175

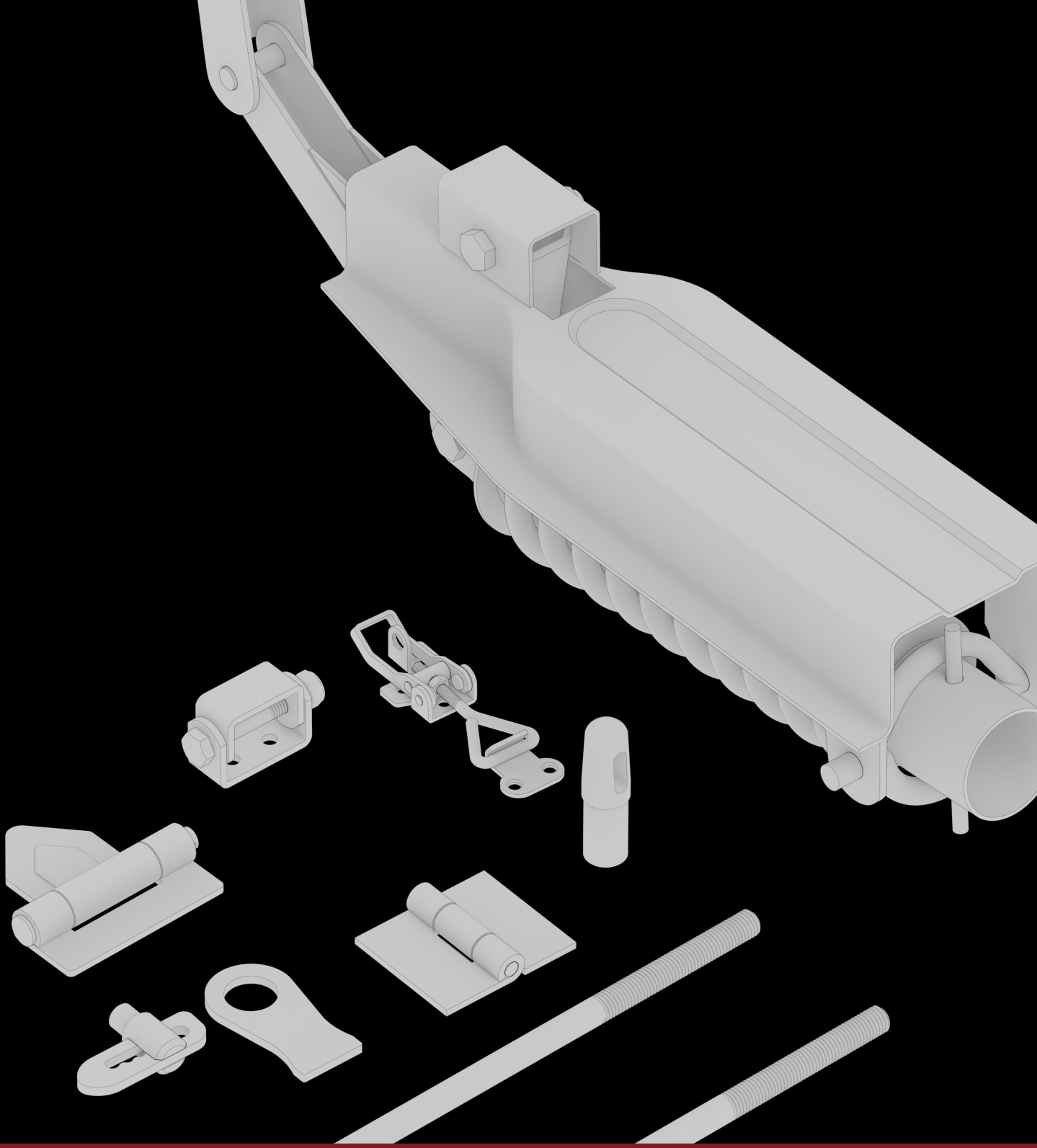


450-C12-027



5,000





Ahşap ve Damper Kasa Ürünleri

Open Box Products



Kapak Erkeği 22 mm

Open Box Pin 22 mm



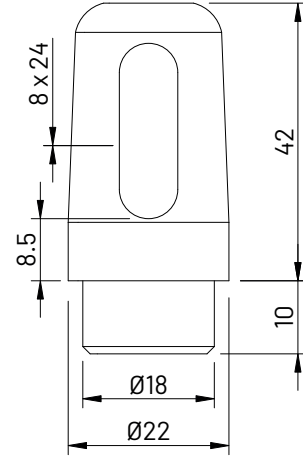
450-A10-001



0,100



250



İlave Erkeği 22 mm

Open Box Pin 22 mm



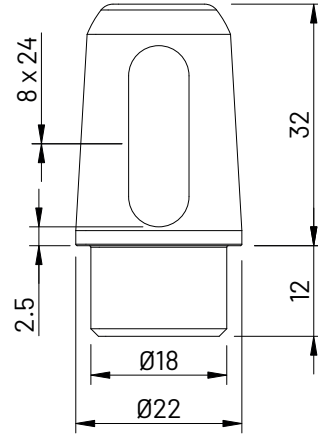
450-A10-002



0,080



250



Kapak Erkeği Kısa 24 mm

Open Box Pin 24 mm



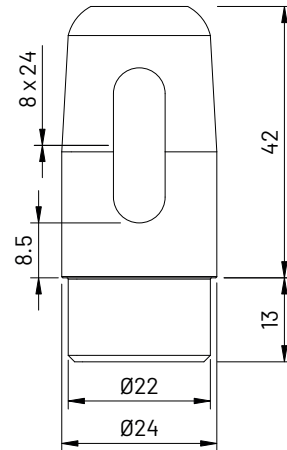
450-A10-003

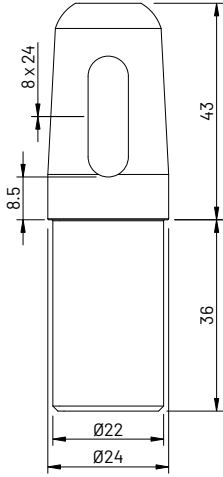


0,135



150





Kapak Erkeği 24x36mm
Open Box Pin 24x36 mm



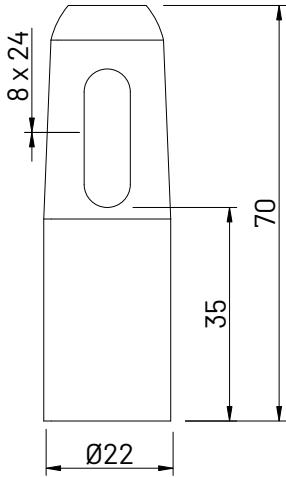
450-A10-004



0,200



150



İlave Erkeği 22x70 mm
Open Box Pin 22x70 mm



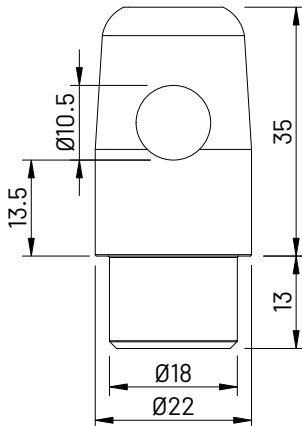
450-A10-005



0,165



150



Tek Delik Erkek 22 mm
Open Box Pin 22 mm



450-A10-006



0,105



250



Uzun Erkek 22x125 mm

Open Box Pin 22x125 mm



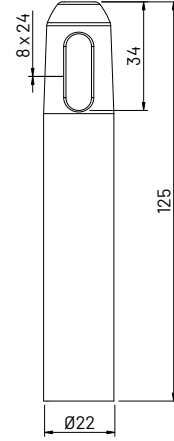
450-A10-007



0,320



50



Arkasız Römerk Erkeği

Open Box Pin



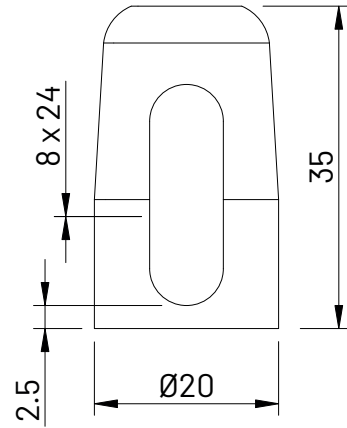
450-A10-008



0,060



250



Tırtıllı Kilit

Open Box Pin



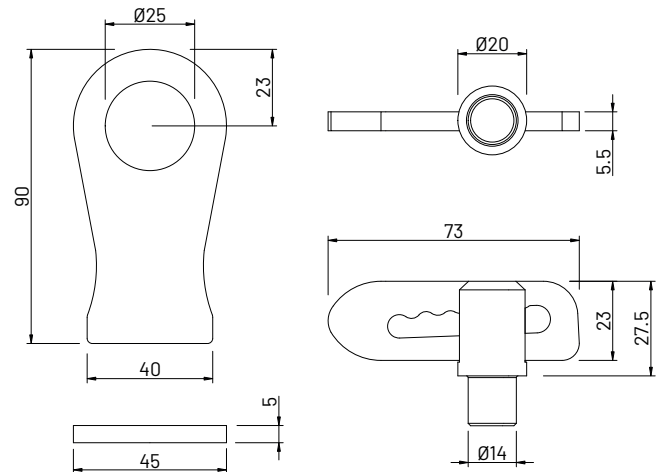
450-A10-009

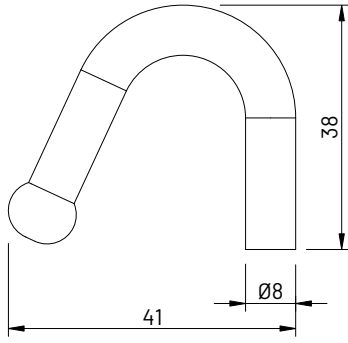


0,220



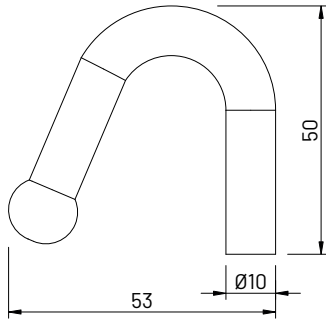
100





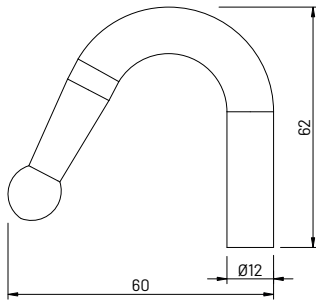
Bağaj Kancası Ø8
Lashing Hook Ø8

450-A11-001	0,038	500



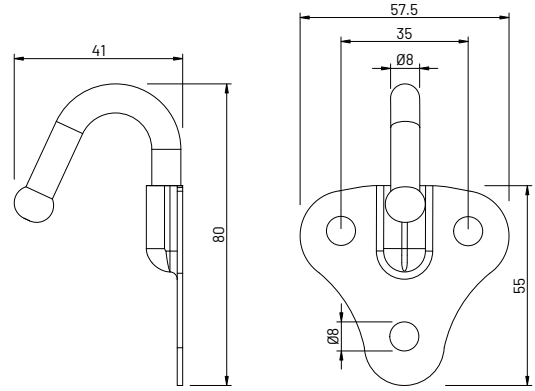
Bağaj Kancası Ø10
Lashing Hook Ø10

450-A11-002	0,065	500



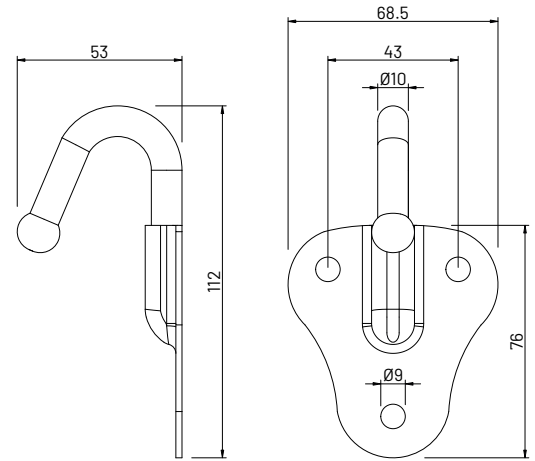
Kanca Demiri Ø12
Lashing Hook Ø12

450-A11-004	0,120	250


Saçlı Kanca Ø8

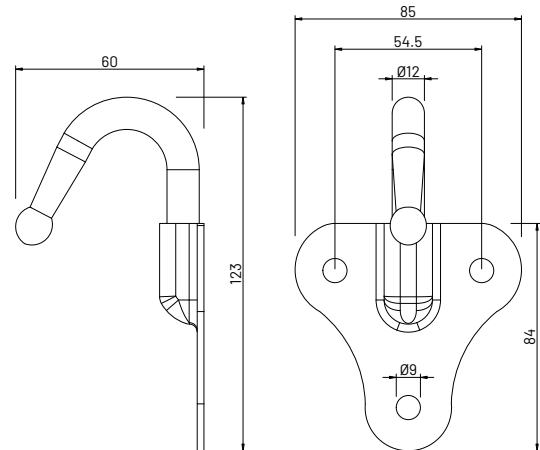
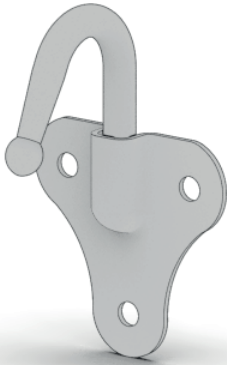
Lashing Hook with Plate Ø8

Mat (Self Colour)	450-A11-005	0,064	250
Galvanizli (ZP)	450-A11-006		


Saçlı Kanca Ø10

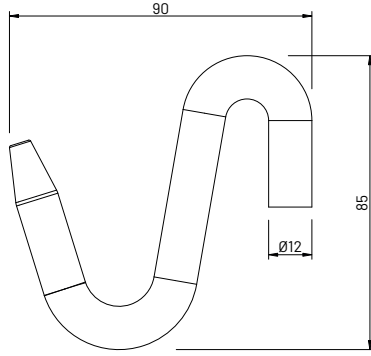
Lashing Hook with Plate Ø10

Mat (Self Colour)	450-A11-007	0,125	150
Galvanizli (ZP)	450-A11-008		


Saçlı Kanca Ø12

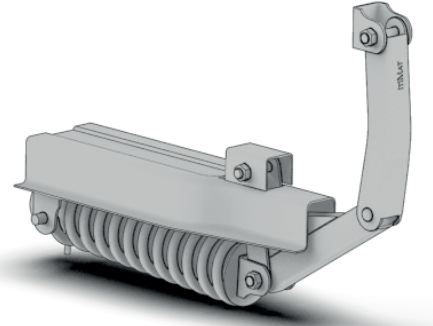
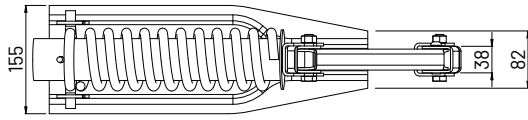
Lashing Hook with Plate Ø12

Mat (Self Colour)	450-A11-011	0,200	100
Galvanizli (ZP)	450-A11-012		



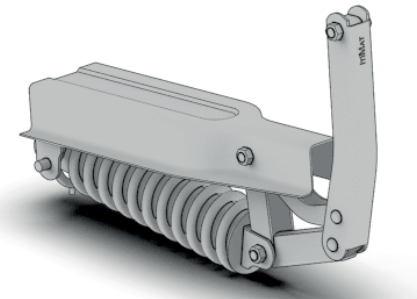
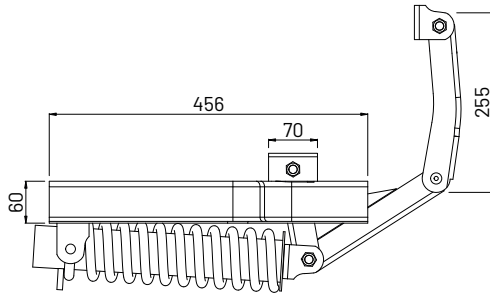
Zincir Kancası
Hook for Chain

450-A11-013	0,175	50



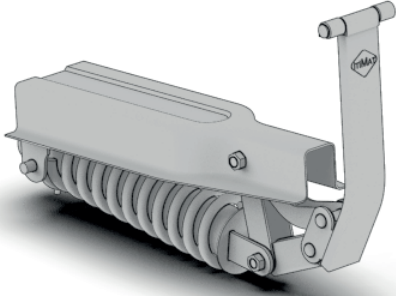
Arka Kapak Yayı
Rear Door Spring

450-A12-001	9,100



Yan Kapak Yayı
Side Door Spring

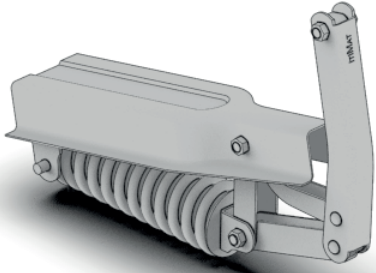
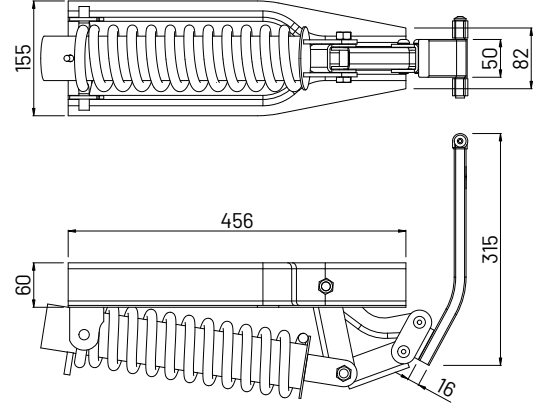
450-A12-002	9,300


Yan Kapak Yayı Lamalı
 Side Door Spring


450-A12-003



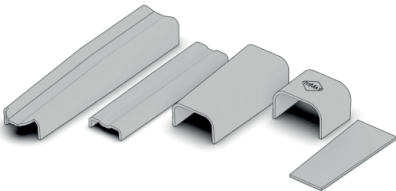
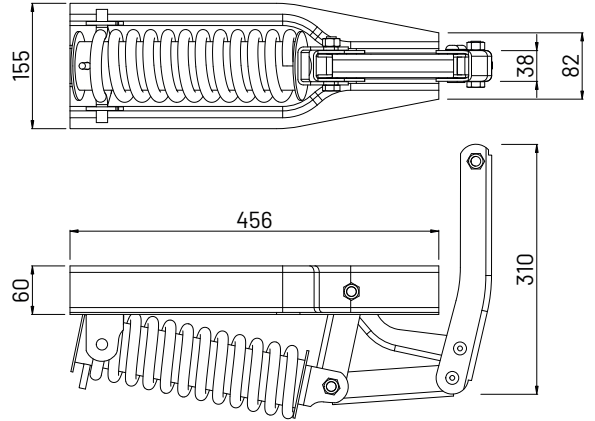
10,000


Dorse Yay
 Trailer Spring


450-A12-004



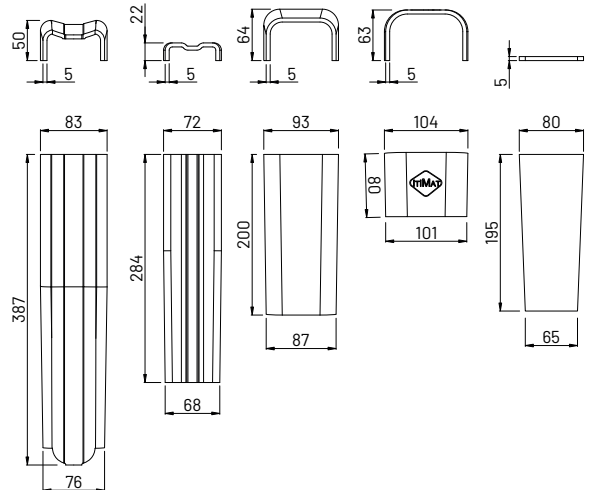
9,100

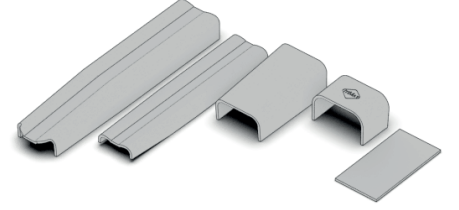
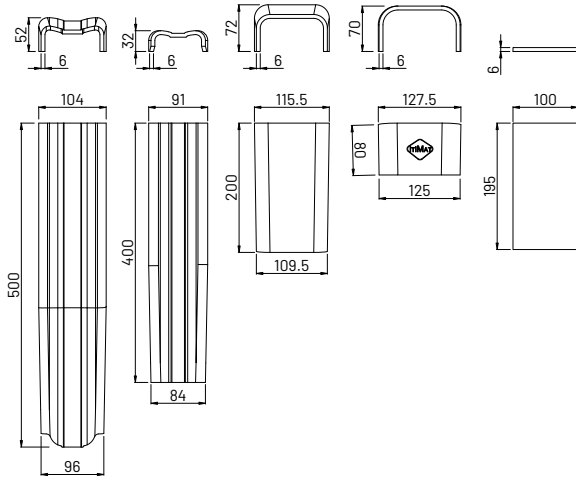

Baba Yatağı 80 mm
 Pillar Socket 80 mm


450-A13-001



6,000





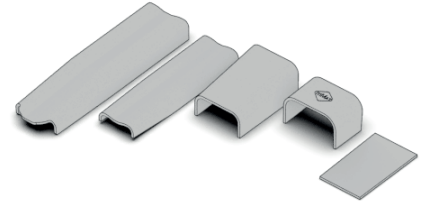
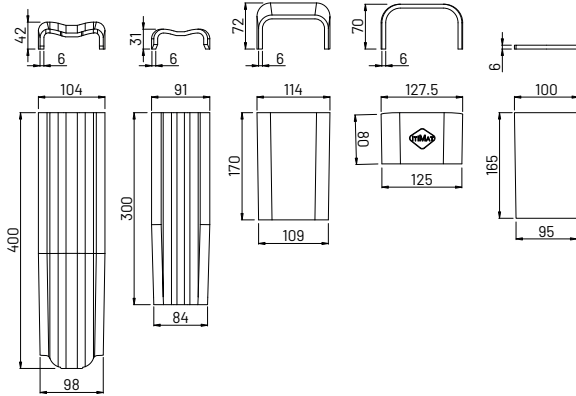
Baba Yatağı 100 mm
Pillar Socket 100 mm



450-A13-007



9.800



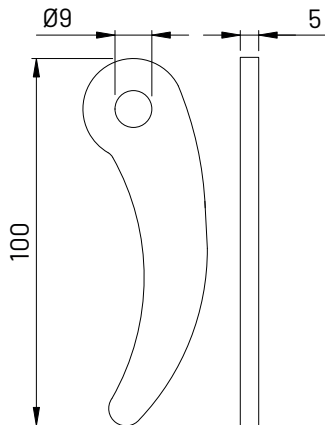
Baba Yatağı 100 mm Dorse
Pillar Socket 100 mm for Trailer



450-A13-013



7.500



Kama Pim Küçük
Wedge



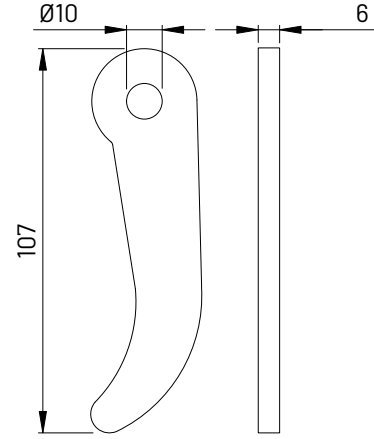
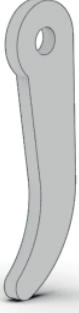
450-A14-001



0,070



500



Kama Pim Büyük

Wedge



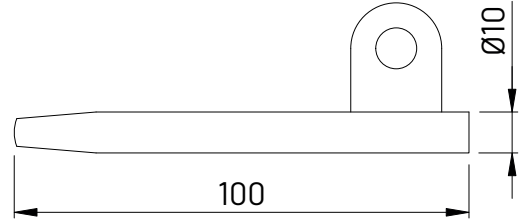
450-A14-002



0,090



250



Yuvarlak Pim

Wedge



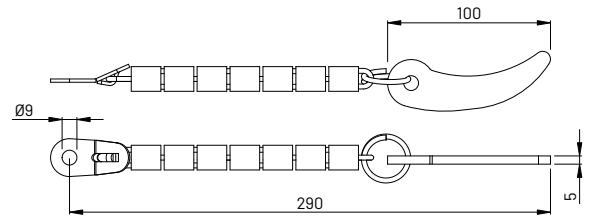
450-A14-003



0,065



250



Römork Pimi Tekli

1-chain Wedge



450-A14-004



0,120

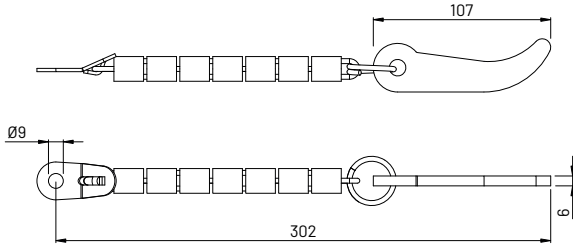


200

Beyaz (White)

Mavi (Blue)

450-A14-005



Tekli Pim

1-chain Wedge

Beyaz (White)
Mavi (Blue)



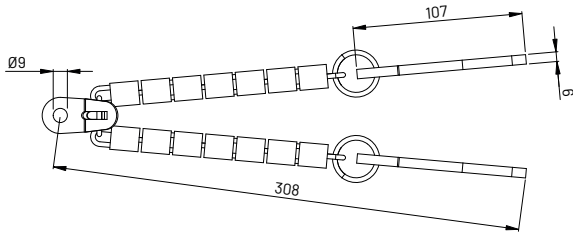
450-A14-006
450-A14-007



0,140



200



Çiftli Pim

2-chain Wedge

Beyaz (White)
Mavi (Blue)



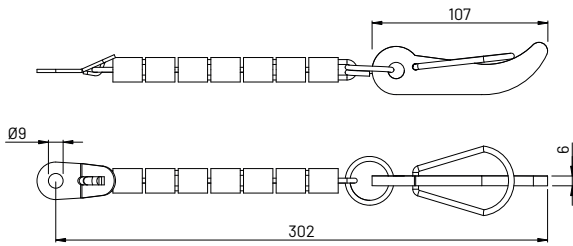
450-A14-008
450-A14-009



0,270



100



Tekli Pim Sekmanlı

1-chain Wedge

Beyaz (White)
Mavi (Blue)



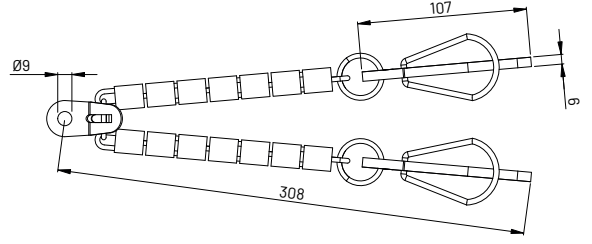
450-A14-010
450-A14-011



0,150

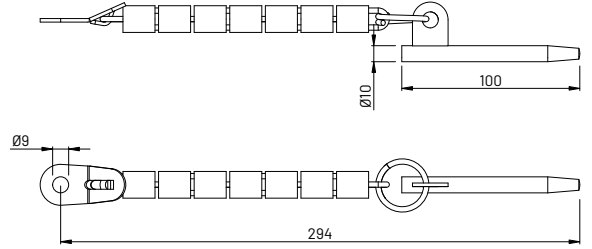


200


Çiftli Pim Sekmanlı

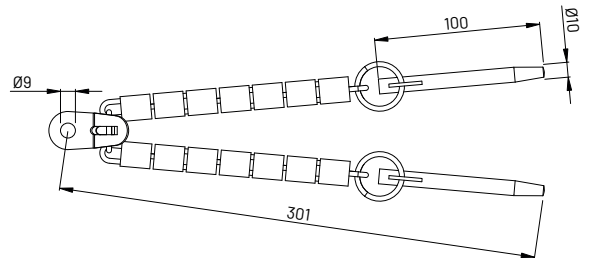
2-chain Wedge

Beyaz (White)	450-A14-012	0,290	100
Mavi (Blue)	450-A14-013		


Tekli Pim Yuvarlak

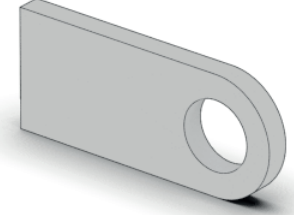
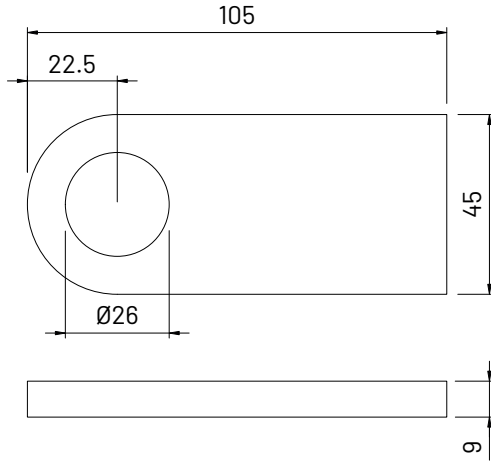
1-chain Wedge

Beyaz (White)	450-A14-014	0,120	200
Mavi (Blue)	450-A14-015		


Çiftli Pim Yuvarlak

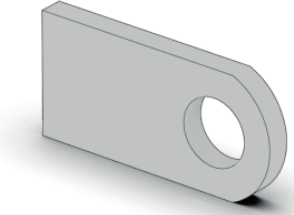
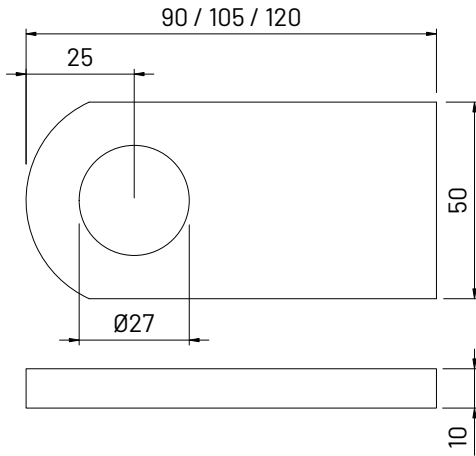
2-chain Wedge

Beyaz (White)	450-A14-016	0,230	100
Mavi (Blue)	450-A14-017		

**Lama Geçme 45x105 mm**

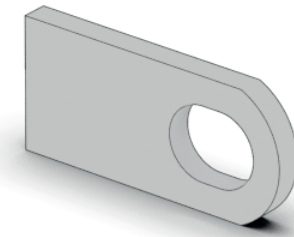
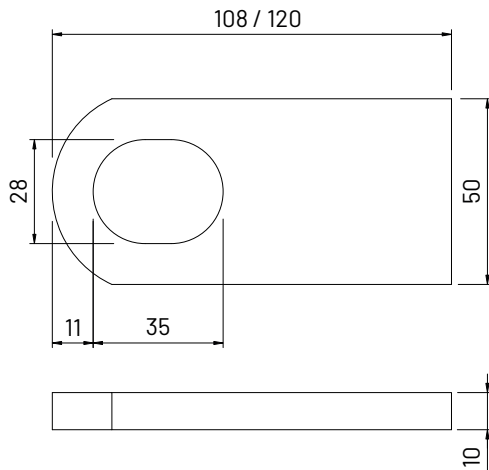
Lama 45x105 mm

450-A15-001	0,270	100

**Lama Geçme 50x10 mm**

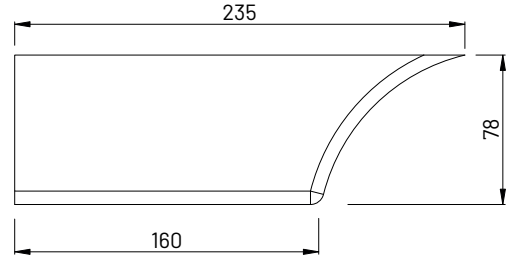
Lama 50x10 mm

90 mm	450-A15-002	0,280	
105 mm	450-A15-003	0,340	100
120 mm	450-A15-004	0,400	

**Lama Geçme 50x10 mm Slot Delikli**

Lama 50x10 mm

108 mm	450-A15-006	0,350	
120 mm	450-A15-007	0,390	100



Etek Sacı Yarım

Open Box Underbody Accessory



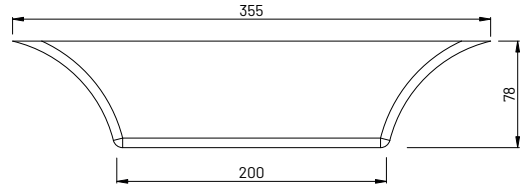
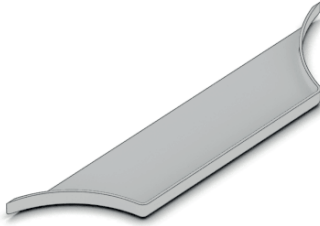
450-A16-001



0,340



50



Etek Sacı Tüm

Open Box Underbody Accessory



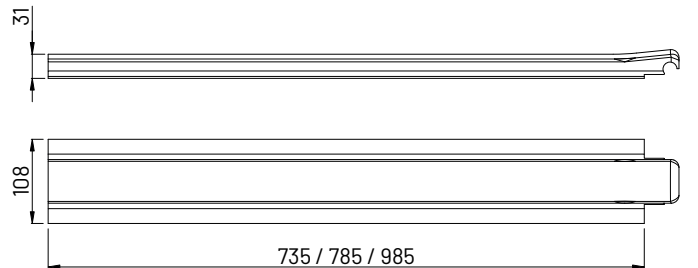
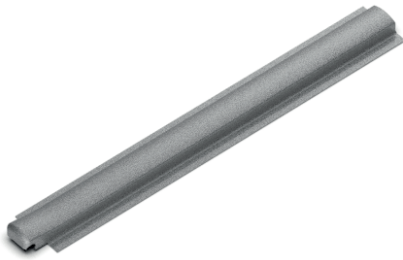
450-A16-002



0,415



50



Kapak Sacı Tekli

Open Box Door Bracket



450-A17-001



1,600

75 cm



450-A17-002



1,800

80 cm

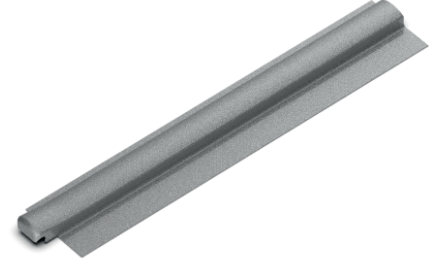
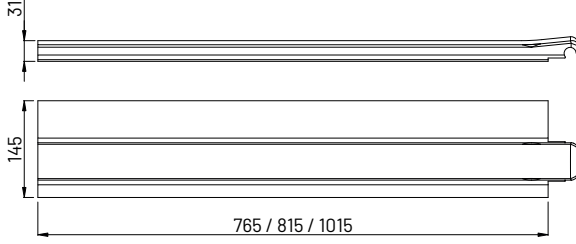


450-A17-003



2,450

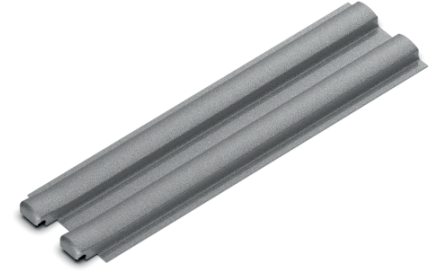
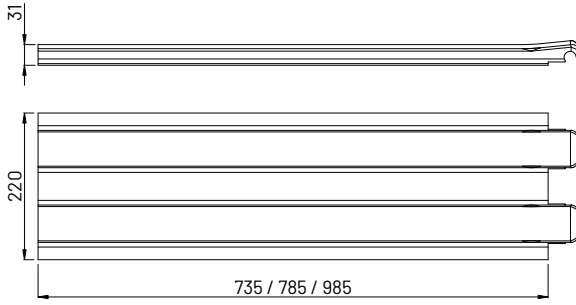
100 cm



Kapak Sacı Kenar

Open Box Door Bracket

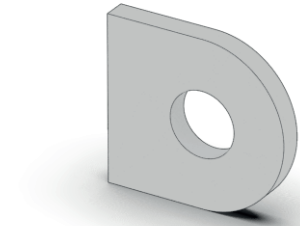
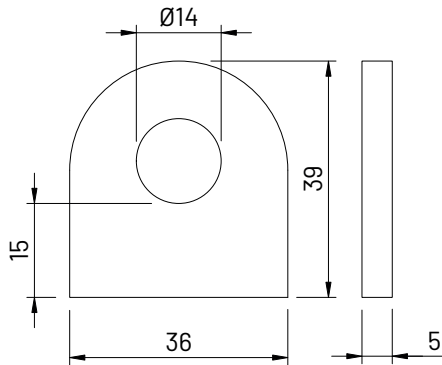
75 cm	450-A17-004	1,950
80 cm	450-A17-005	2,400
100 cm	450-A17-006	3,100



Kapak Sacı Çiftli

Open Box Door Bracket

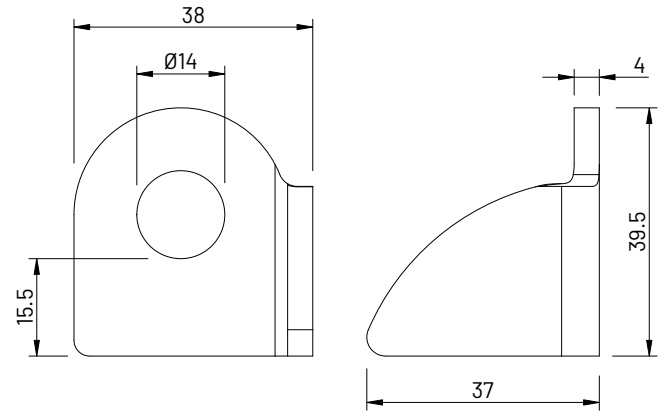
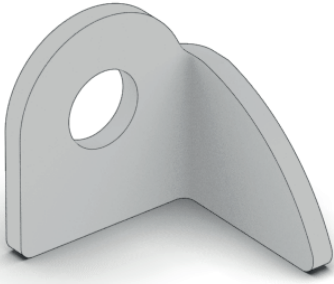
75 cm	450-A17-007	3,200
80 cm	450-A17-008	3,600
100 cm	450-A17-009	5,000



D Mentеше Düz

Open Box Hinge

450-A18-001	0,040	500	



L Mentese

Open Box Hinge



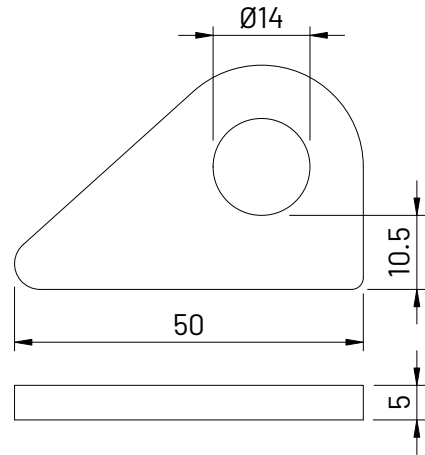
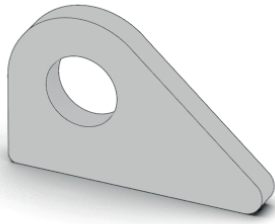
450-A18-002



0,050



500



D Mentese Küçük

Open Box Hinge



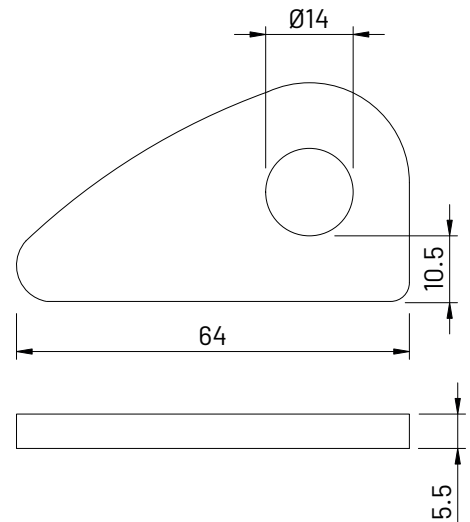
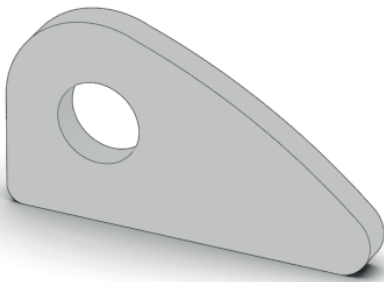
450-A18-003



0,039



500



D Mentese Büyük

Open Box Hinge



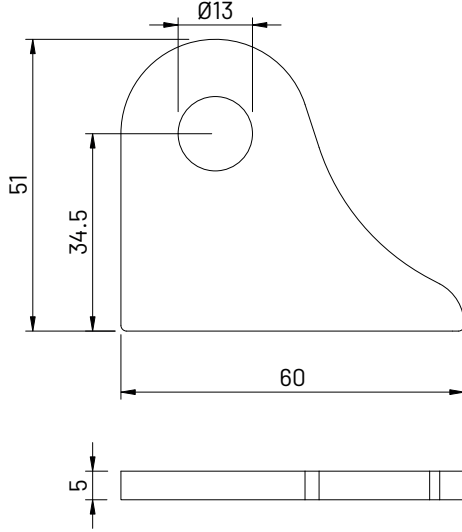
450-A18-004



0,067

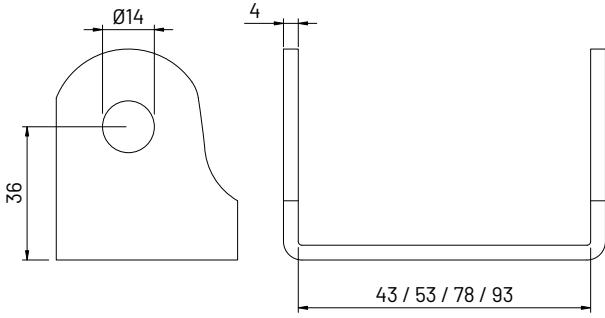


500



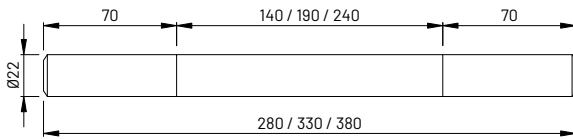
Konya Tipi D Mentese
Open Box Hinge

450-A18-032	0,068	500



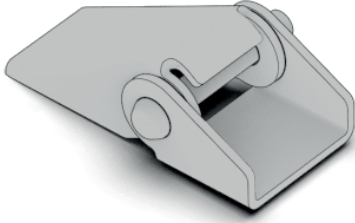
U Mentese
Open Box Hinge

40 mm	450-A18-005	0,190	
50 mm	450-A18-006	0,220	100
75 mm	450-A18-007	0,250	
90 mm	450-A18-008	0,260	



İlave Mentese
Open Box Hinge

28 cm	450-A18-009	0,800	
33 cm	450-A18-010	0,950	20
38 cm	450-A18-011	1,100	



Sac Kapak Mentеше 3 mm

Open Box Hinge



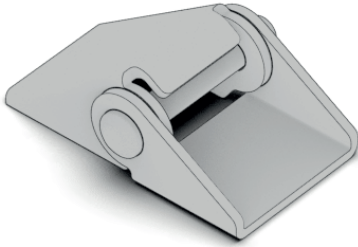
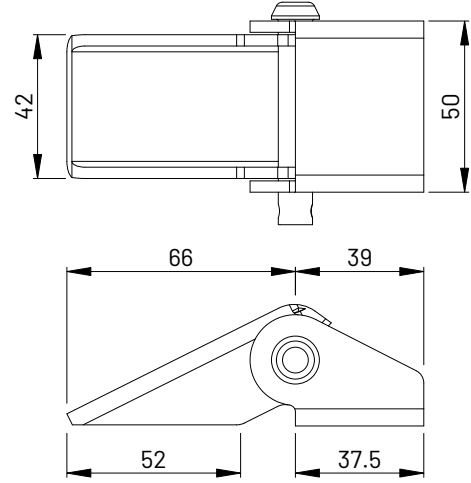
450-A18-012



0,250



75



Sac Kapak Mentеше 4 mm

Open Box Hinge



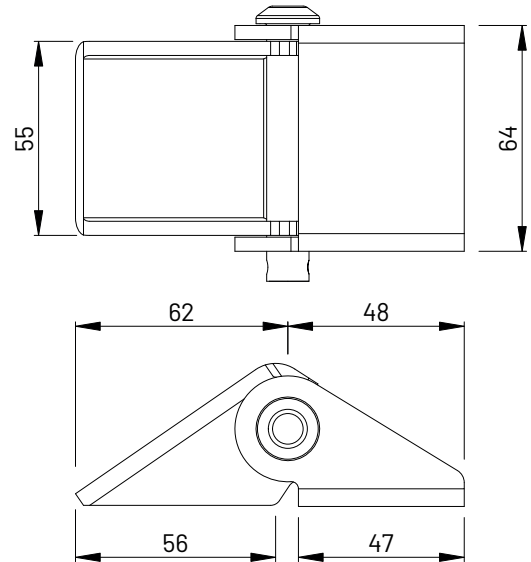
450-A18-013



0,400



75



Büyük Damper Mentешesi

Open Box Hinge



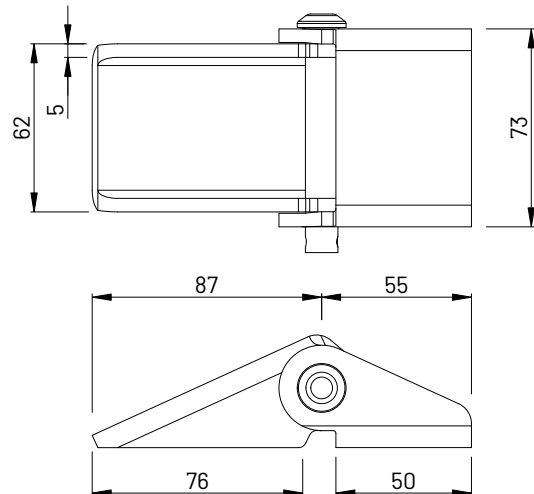
450-A18-014

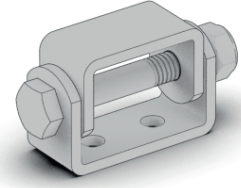
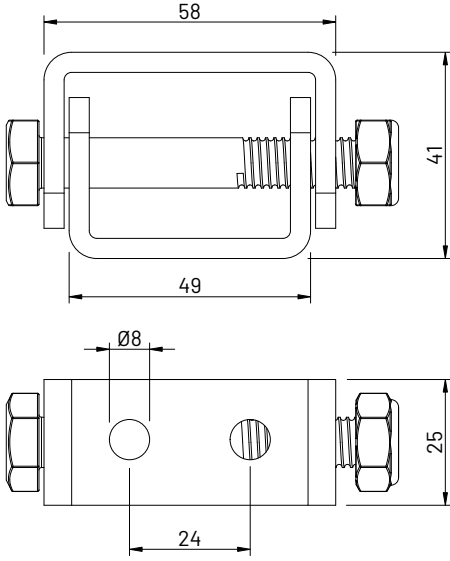


0,680



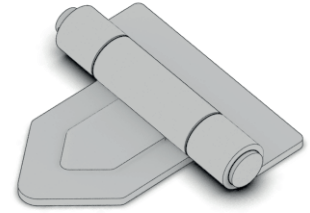
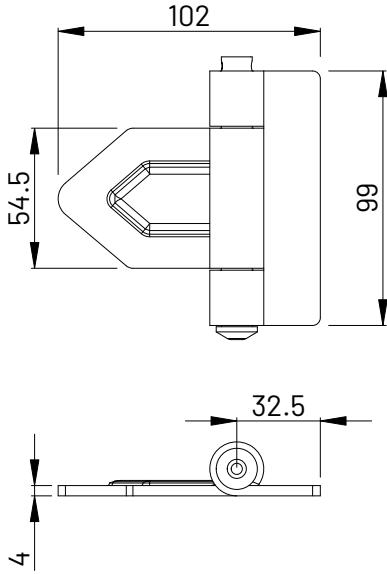
50





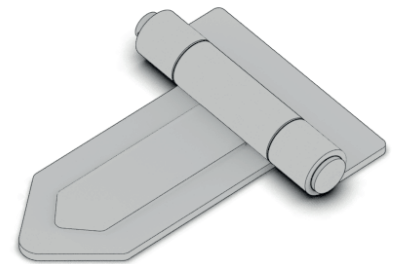
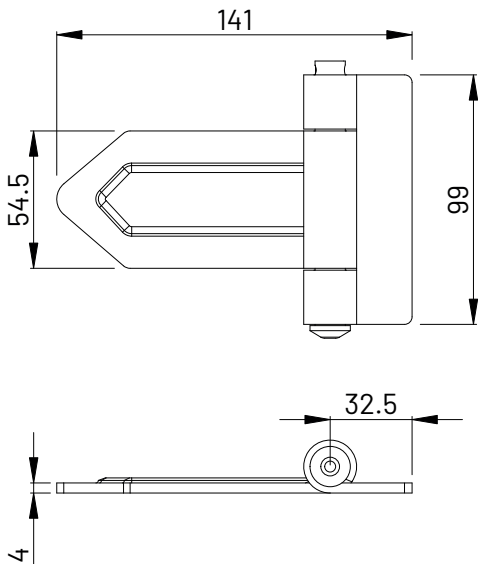
Kamyonet Mentеше
Open Box Hinge

450-A18-015	0,200	100



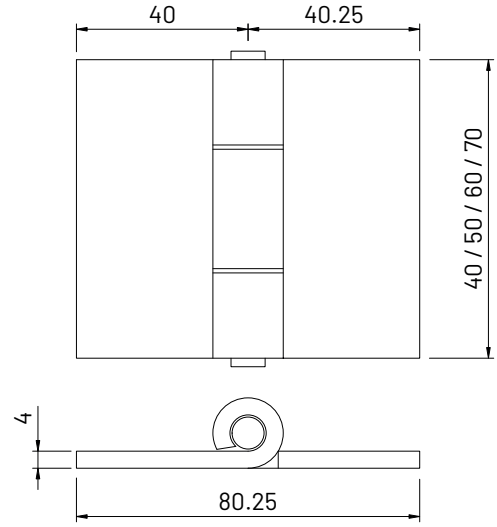
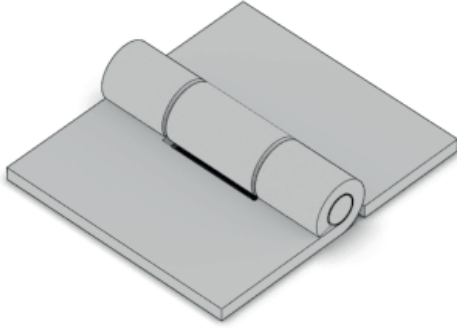
Üçgen Mentеше Kısa
Open Box Hinge

450-A18-016	0,420	50



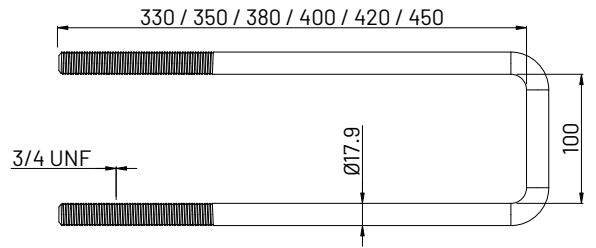
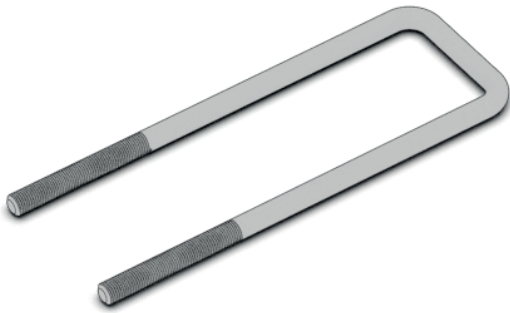
Üçgen Mentеше Uzun
Open Box Hinge

450-A18-017	0,500	50


Yaprak Mentеше

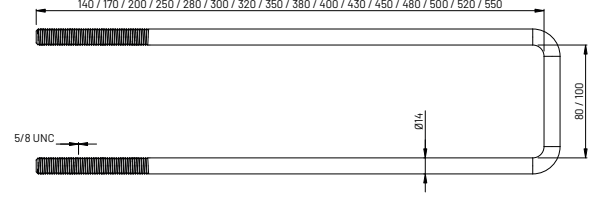
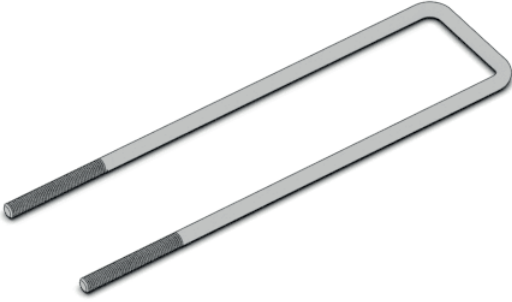
Open Box Hinge

40 mm	450-A18-018	0,150	
50 mm	450-A18-019	0,185	
60 mm	450-A18-020	0,225	100
70 mm	450-A18-021	0,260	


3/4 İnce Diş Bağlantı

Open Box Connection

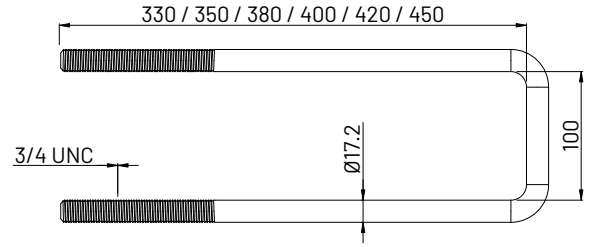
33 cm	450-A19-017	1,520	
35 cm	450-A19-018	1,600	
38 cm	450-A19-019	1,720	
40 cm	450-A19-020	1,800	20
42 cm	450-A19-021	1,880	
45 cm	450-A19-022	2,000	



5/8 Bağlantı

Open Box Connection

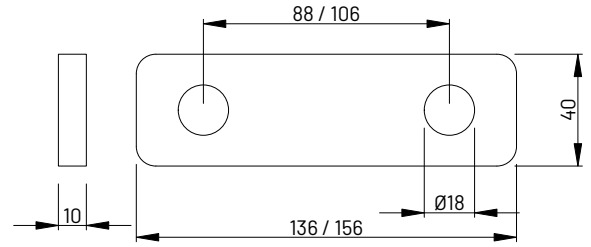
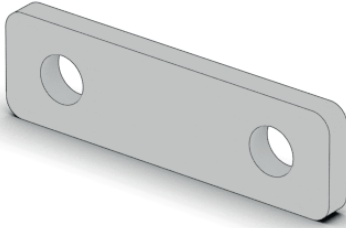
14x8 cm	450-A19-001	0,450	
17x8 cm	450-A19-002	0,530	
20x8 cm	450-A19-003	0,600	
25x8 cm	450-A19-004	0,730	
28x8 cm	450-A19-005	0,800	
30x8 cm	450-A19-006	0,850	
32x8 cm	450-A19-007	0,900	
35x8 cm	450-A19-008	0,980	
38x10 cm	450-A19-009	1,080	
40x10 cm	450-A19-010	1,130	
43x10 cm	450-A19-011	1,200	
45x10 cm	450-A19-012	1,250	
48x10 cm	450-A19-013	1,320	
50x10 cm	450-A19-014	1,370	
52x10 cm	450-A19-015	1,420	
55x10 cm	450-A19-016	1,500	



3/4 Kalın Diş Bağlantı

Open Box Connection

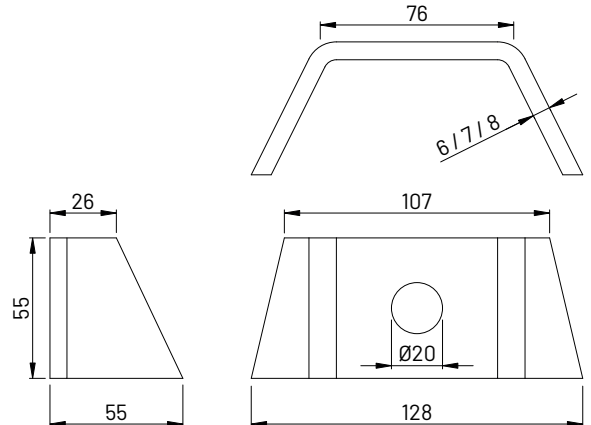
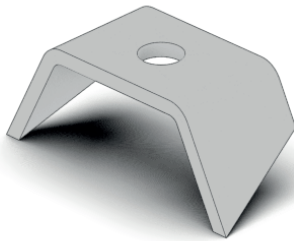
33 cm	450-A19-023	1,400	
35 cm	450-A19-024	1,470	
38 cm	450-A19-025	1,580	
40 cm	450-A19-026	1,650	20
42 cm	450-A19-027	1,730	
45 cm	450-A19-028	1,840	



Bağlantı Keleçesi

Open Box Connecting Clamp

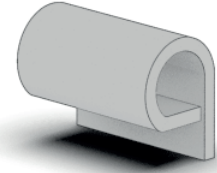
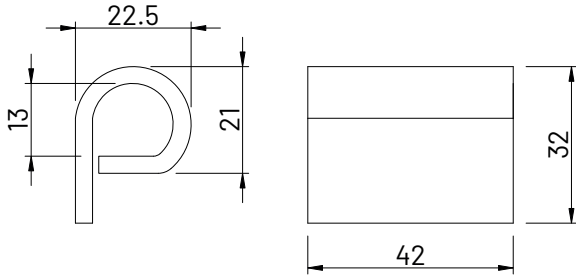
Dar (Small)	450-A19-029	0,370	100
Geniş (Large)	450-A19-030	0,440	



Braket

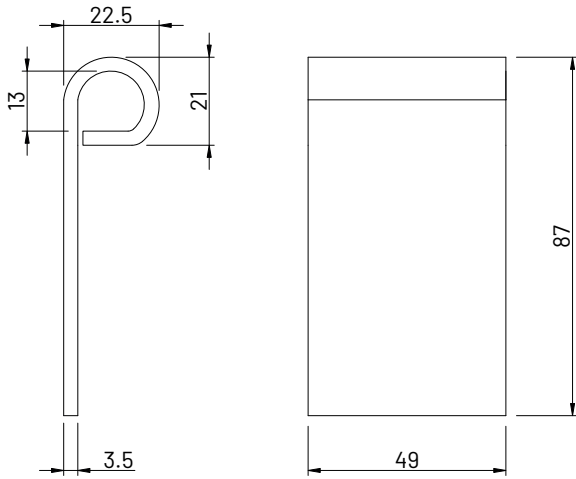
Open Box Connecting Bracket

6 mm	450-A19-031	0,380	
7 mm	450-A19-037	0,440	50
8 mm	450-A19-032	0,510	



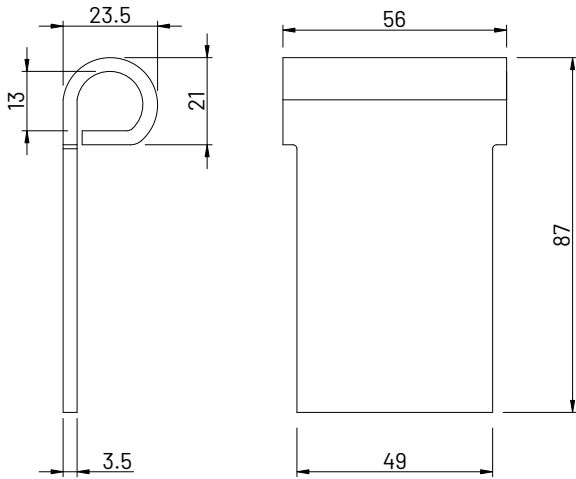
P Boru Kısa
Pipe for Open Box

450-A20-001	0,080	250



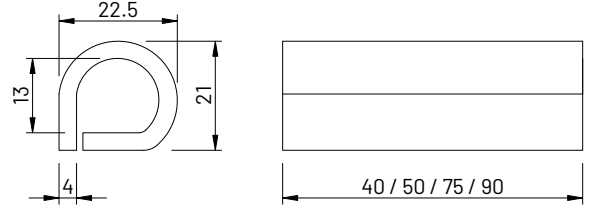
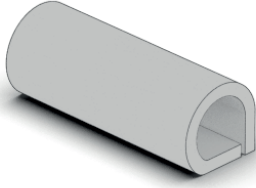
P Boru Uzun Düz
Pipe for Open Box

450-A20-002	0,165	150



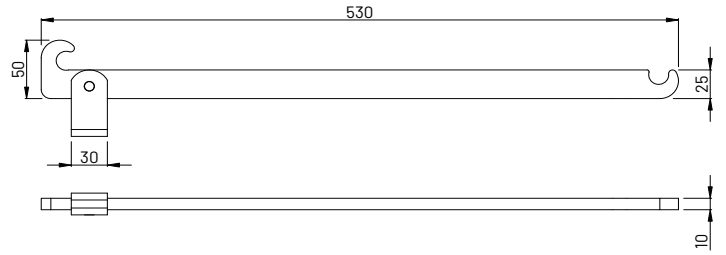
P Boru Faturalı
Pipe for Open Box

450-A20-003	0,180	150


Armut Boru

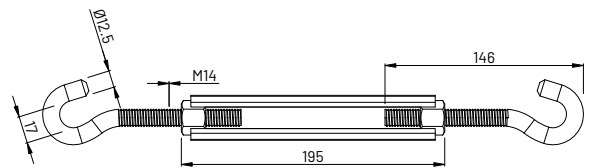
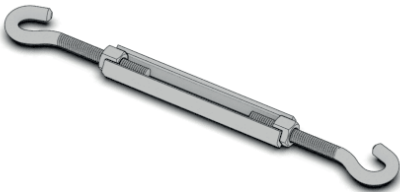
Pipe for Open Box

40 mm	450-A20-004	0,070	
50 mm	450-A20-005	0,088	250
75 mm	450-A20-006	0,140	
90 mm	450-A20-007	0,165	150


Lama Gerdirme

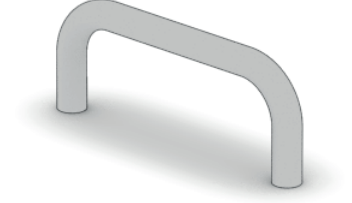
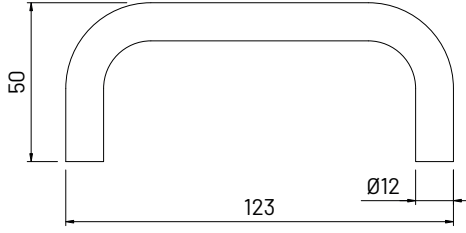
Stretcher

450-A21-001		1,050


M14 Gerdirme

Turnbuckle

450-A21-005		0,650	50



EI Tutamağı Sacsız
Pull Handle without Plate



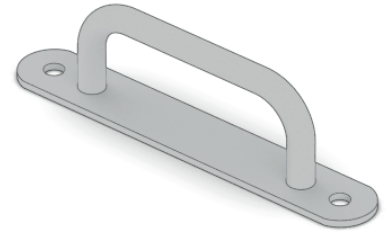
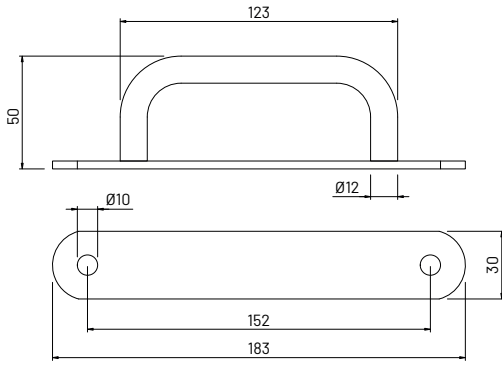
450-A21-006



0,170



50



EI Tutamağı Saclı Galvenizli
Galvanized Pull Handle with Plate



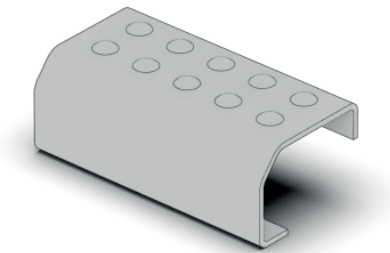
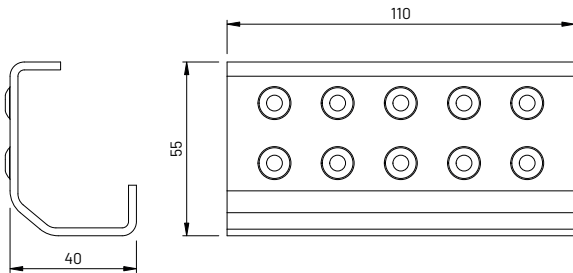
450-A21-007



0,270



50



Ayak Basamağı
Step



450-A21-008



0,210

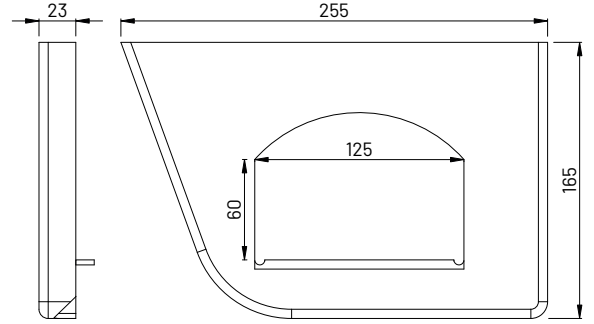
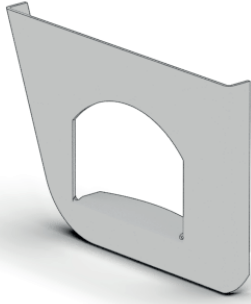


100

Mat (Self Colour)

Galvanizli (ZP)

450-A21-009



Kamyonet Ayak Basamağı

Step



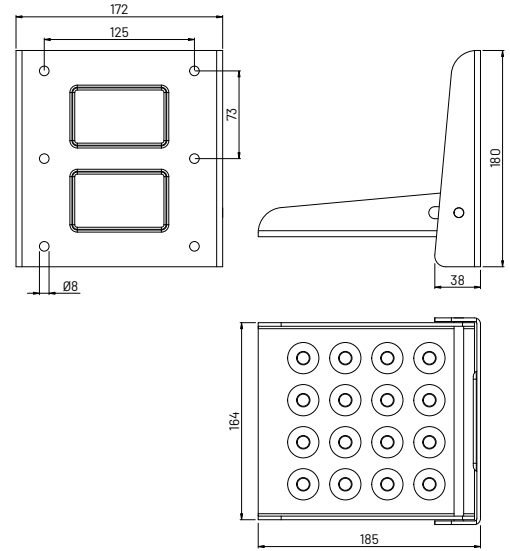
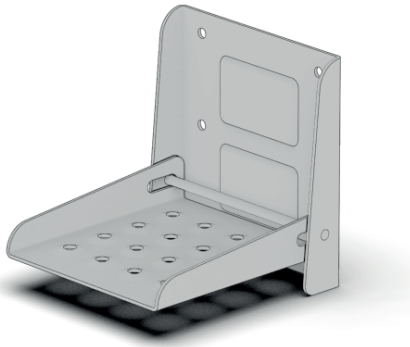
450-A21-010



0,600



50



Açılır Ayak Basamağı

Folding Step



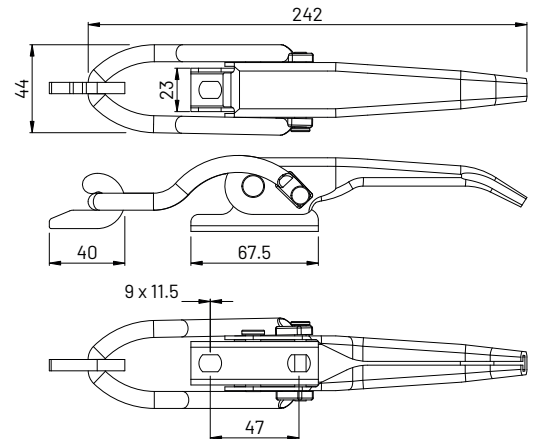
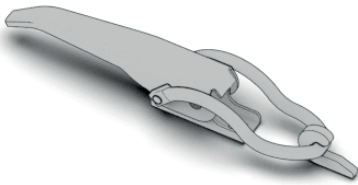
450-A21-011



1,800



15



Mekanik Kol

Fastener



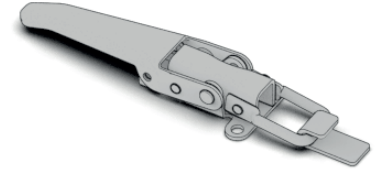
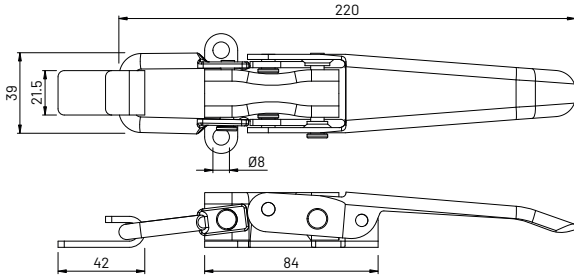
450-A21-012



0,360



50

**Mekanik Kol Yeni**

Fastener



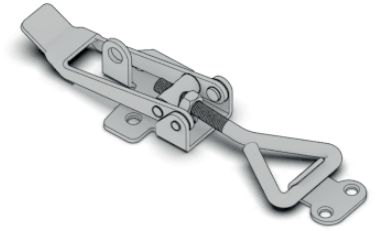
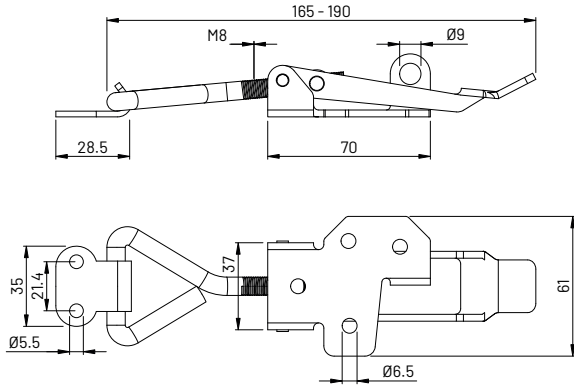
450-A21-013



0,390



50

**Vidalı Mekanik Kol**

Fastener



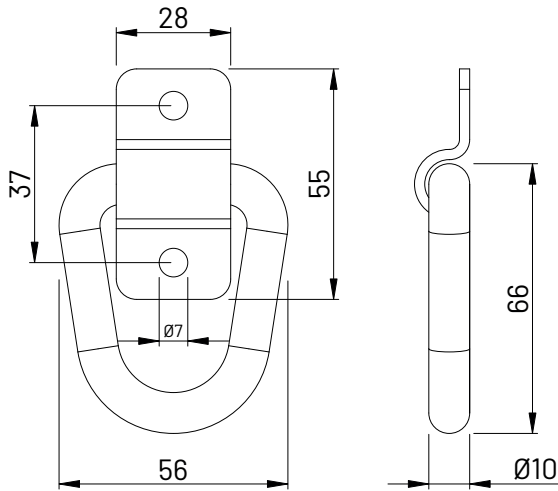
450-A21-024



0,250



100

**Halka Sallama Küçük Flanşlı**

Lashing Ring Ø10



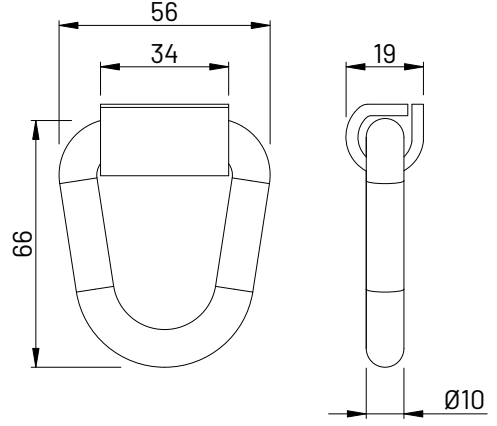
450-A21-014



0,130



100



Halka Sallama Küçük Borulu

Lashing Ring Ø10



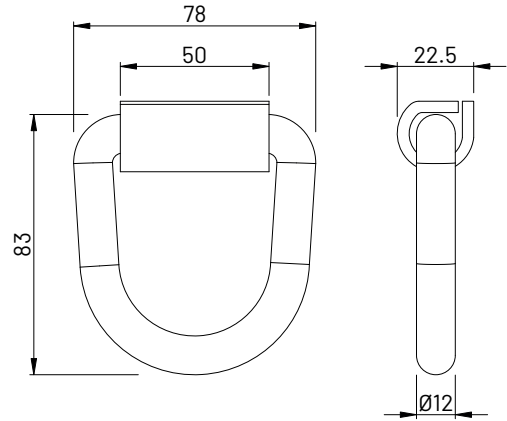
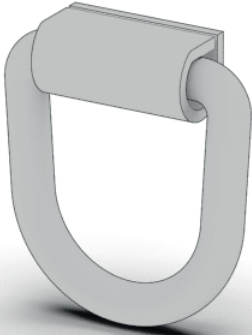
450-A21-015



0,140



100



Halka Sallama Büyük Borulu

Lashing Ring Ø12



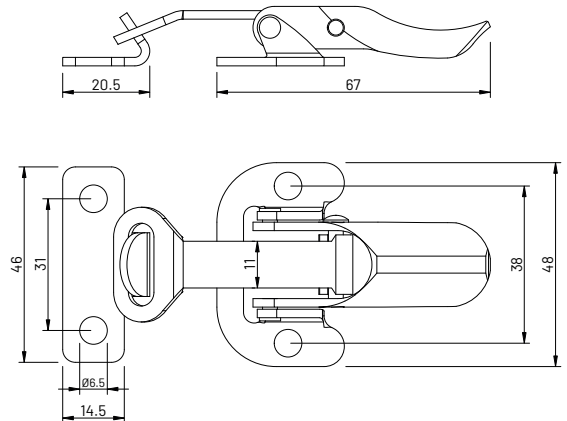
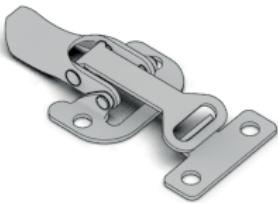
450-A21-016



0,300



100



Kaput Kilidi Küçük

Fastener



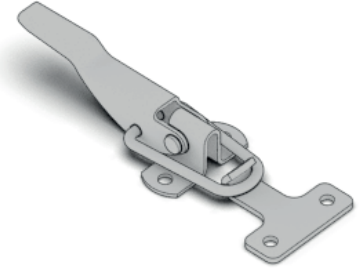
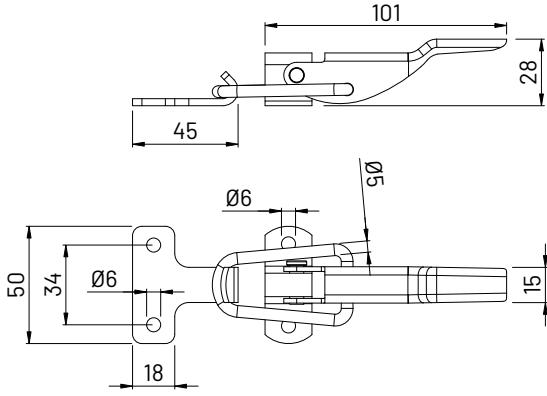
450-A21-017



0,062



150

**Kaput Kilidi Büyük**

Fastener



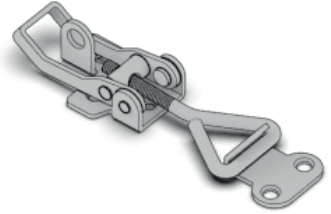
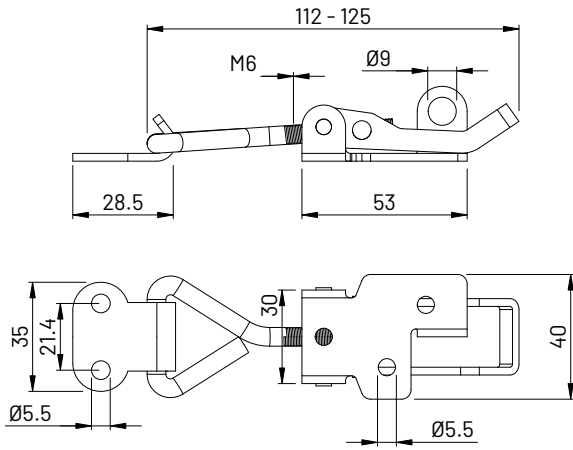
450-A21-018



0,125



150

**Vidalı Kaput Kilidi**

Fastener



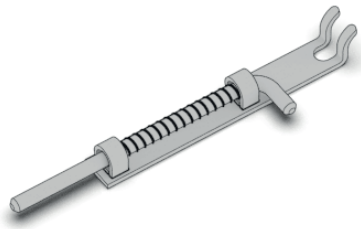
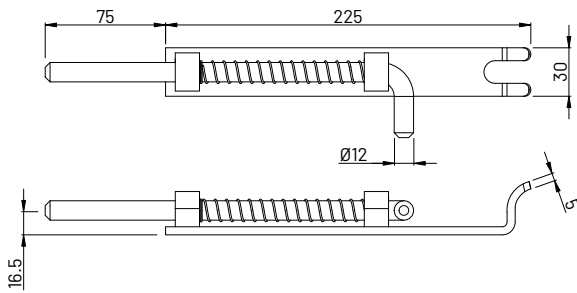
450-A21-025



0,125



150

**Yaylı Kapak Sürgüsü**

Spring Latch



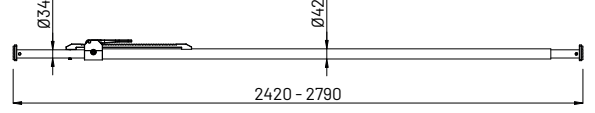
450-A21-022



0,560



50



Kargo Tutucu Frigo

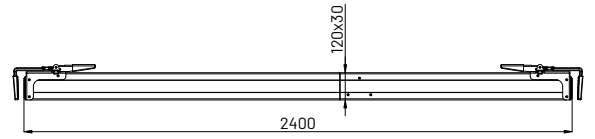
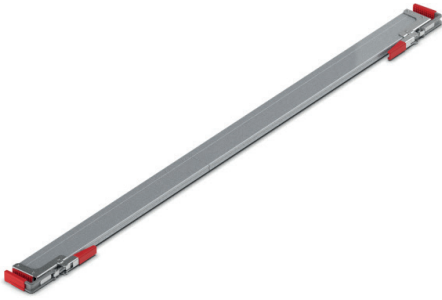
Cargo Restraint Bar



450-F10-001



4,400



Kargo Tutucu Tenteli

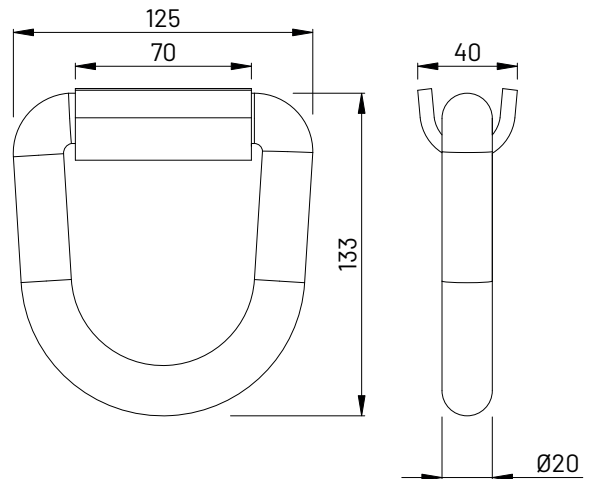
Cargo Restraint Bar



450-F10-003



8,000



Ro-ro Halkası

Ro-ro Ring



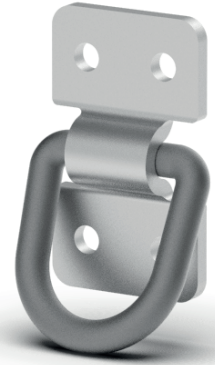
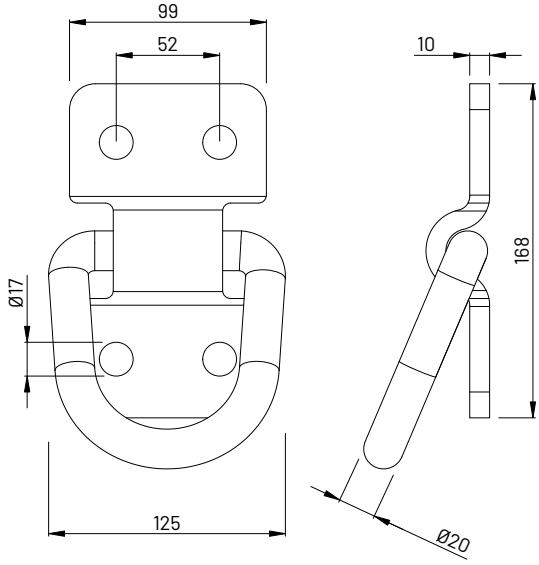
450-F11-001



1,200

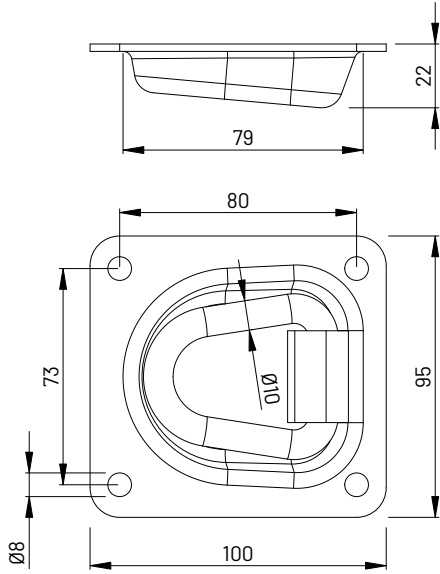


20



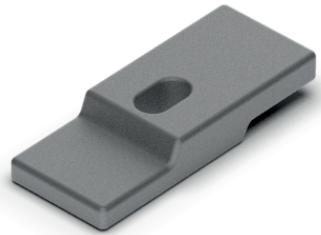
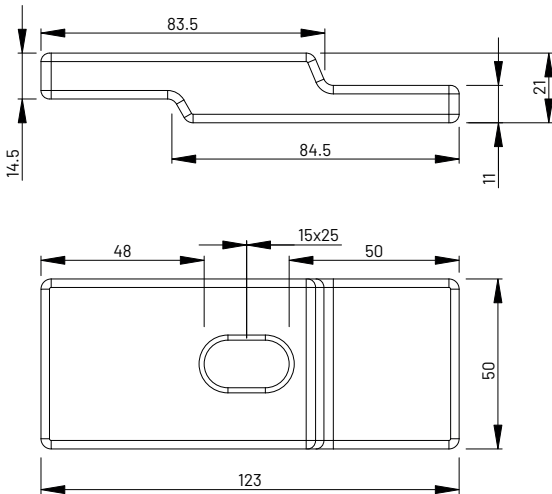
Ro-ro Halkası Flanşlı
Ro-ro Ring

450-F11-002	2,000	20



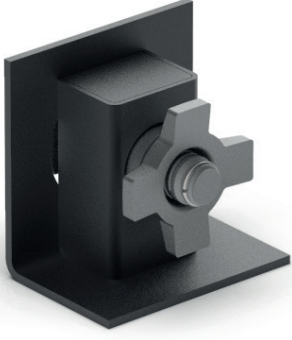
Gömme Sallama
Lashing Ring

450-F11-003	0,320	50



Bağlantı Braketi Dövme
Forged Fixing Bracket

450-F18-001	0,650	50



Konteyner Kilidi Küçük

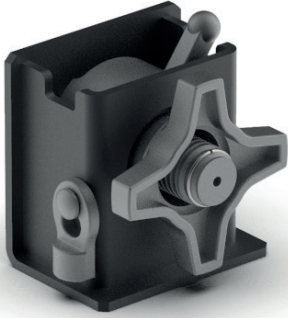
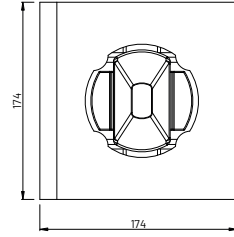
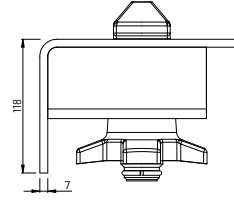
Container Lock Small



450-F12-001



6.500



Konteyner Kilidi Büyük

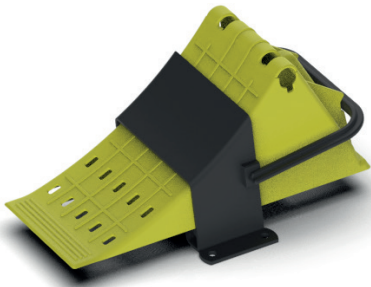
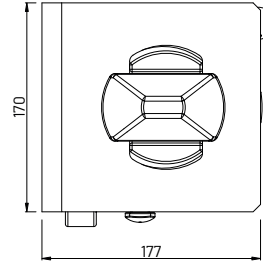
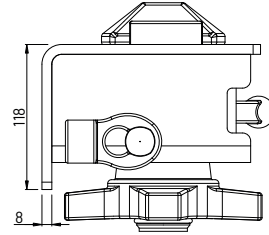
Container Lock Large



450-F12-002



13.000



Teker Takozu

Wheel Chock



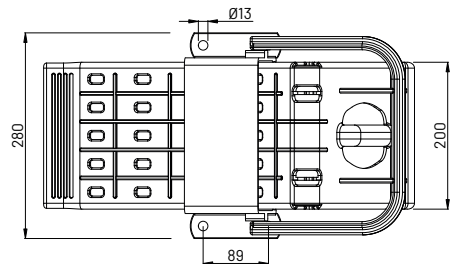
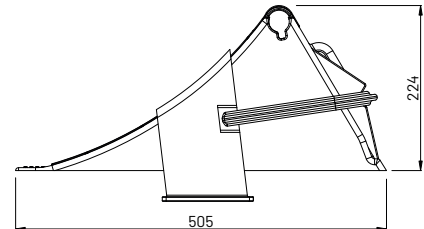
450-F13-001

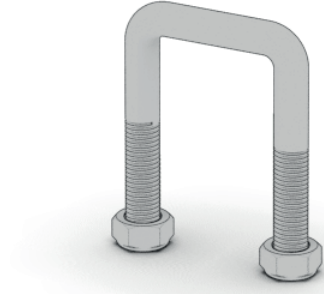
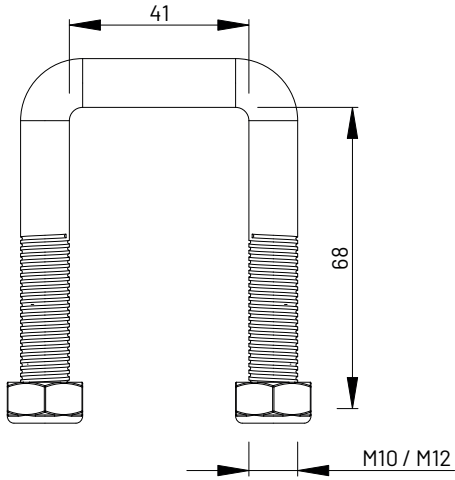


2.500



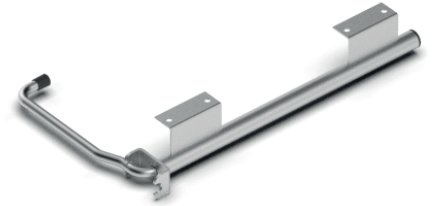
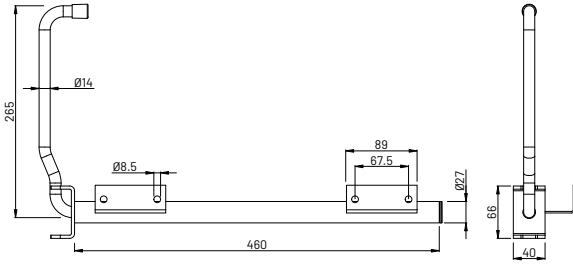
2





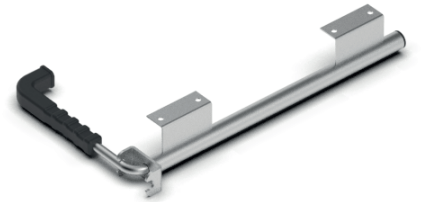
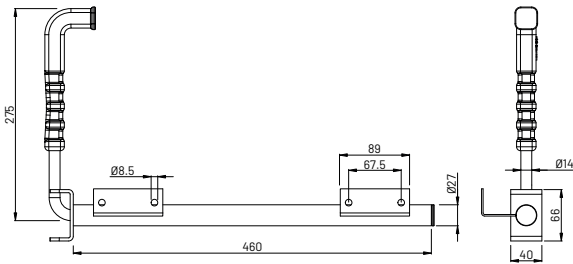
Spanzet Bağlantı
Connecting Ring

M10	450-F14-001	0,110	250
M12	450-F14-002	0,140	150



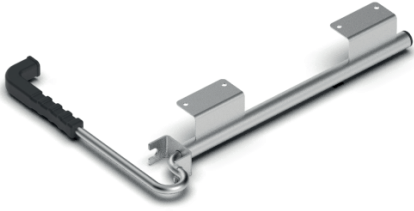
Kapı Tutucu Küçük Plastiksiz
Door Retainer

450-F15-001		1,900	10



Kapı Tutucu Küçük Plastikli
Door Retainer

450-F15-005		2,000	10



Kapı Tutucu Büyük Plastikli

Door Retainer



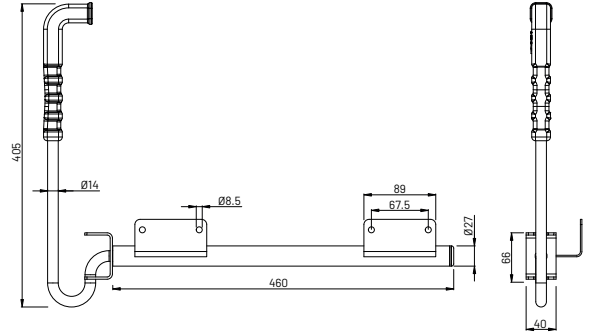
450-F15-004



2,100



10



Küçük İstinat

Door Retainer



450-F15-002



0,120

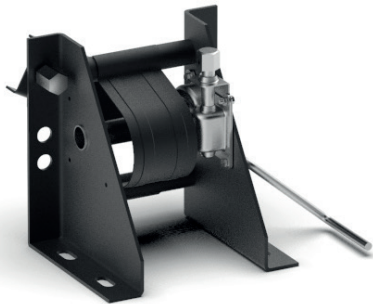
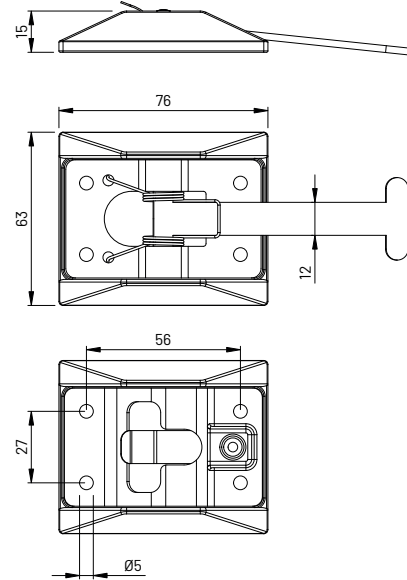


50

Galvanizli (ZP)

Krom (SS)

450-F15-003



Stepne Taşıyıcı Sargılı Küçük

Spare Wheel Carrier



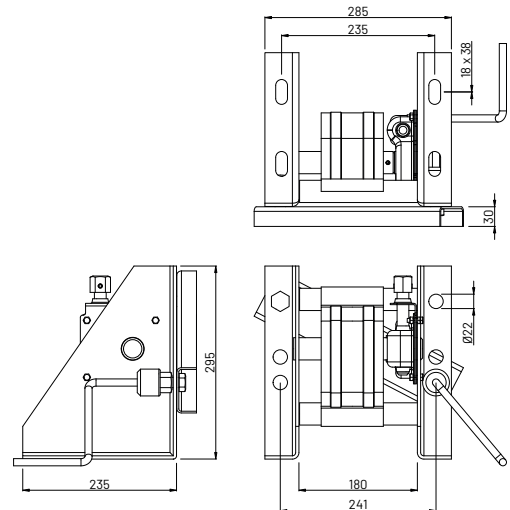
450-F16-001

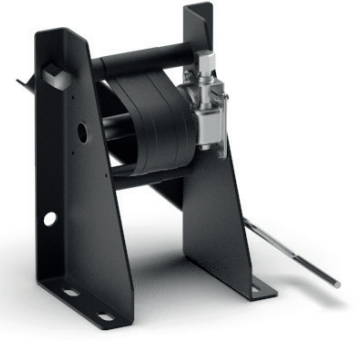
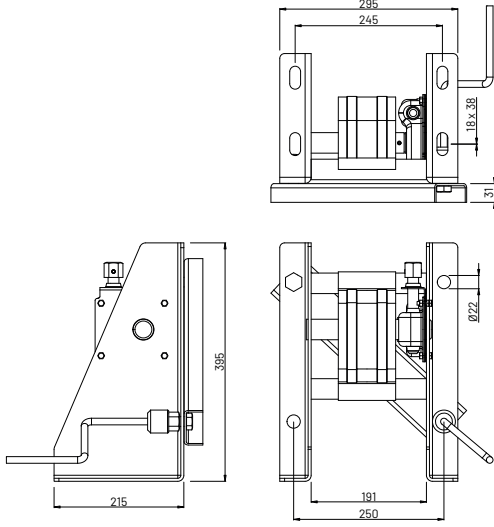


10,000



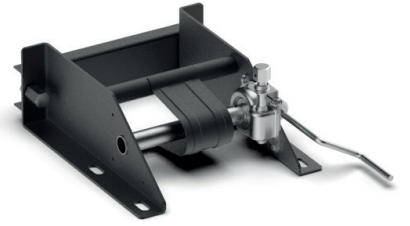
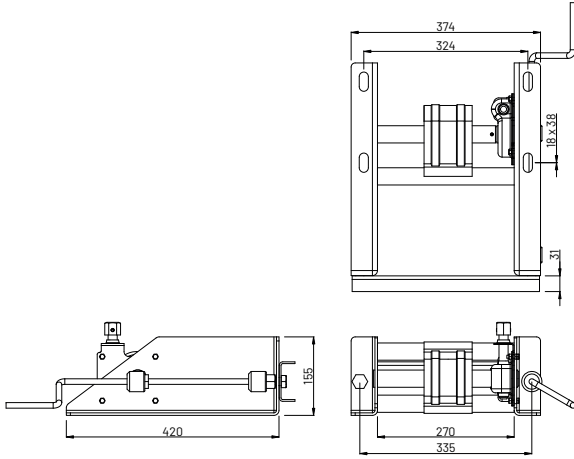
2





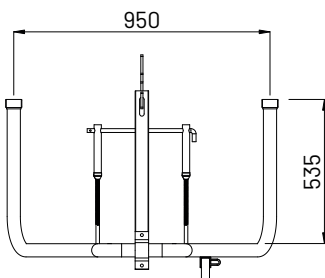
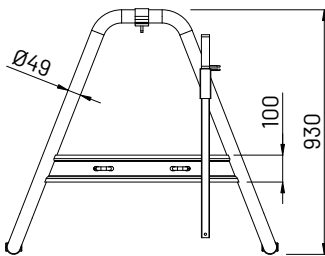
Stepne Taşıyıcı Sargılı Büyük
Spare Wheel Carrier

450-F16-002	10,500	2



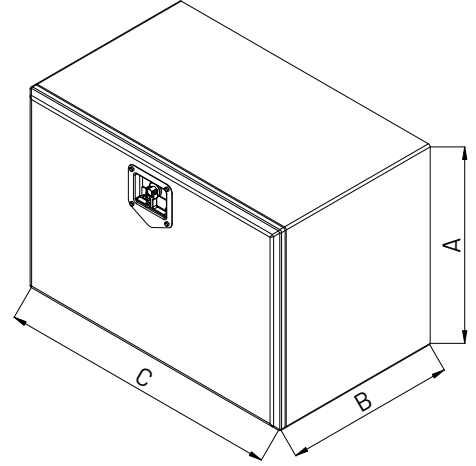
Stepne Taşıyıcı Sargılı Dorse
Spare Wheel Carrier

450-F16-003	10,500	2



Stepne Taşıyıcı Borulu Dorse
Tubular Spare Wheel Carrier

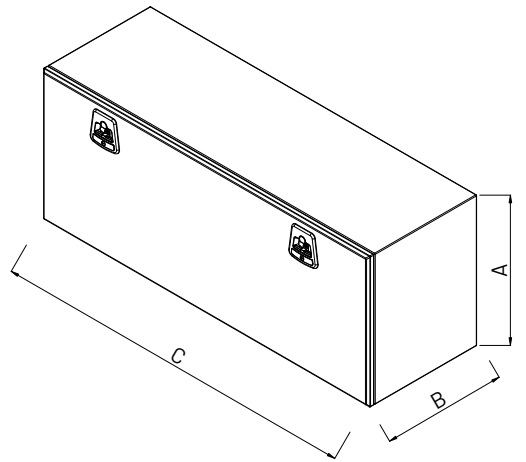
450-F16-004	18,000



Takım Dolabı Metal

Metal Toolbox

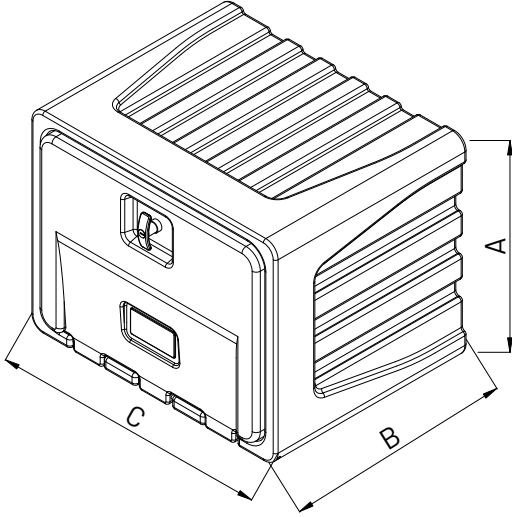
A/B/C		
45x45x45 cm Tek Kilit (45x45x45 cm Single Lock)	450-N10-001	10,000
48x42x60 cm Tek Kilit (48x42x60 cm Single Lock)	450-N10-002	12,300
48x42x70 cm Tek Kilit (48x42x70 cm Single Lock)	450-N10-003	14,800
48x42x80 cm Tek Kilit (48x42x80 cm Single Lock)	450-N10-004	16,300
48x42x90 cm Tek Kilit (48x42x90 cm Single Lock)	450-N10-005	17,800
48x42x100 cm Tek Kilit (48x42x100 cm Single Lock)	450-N10-006	21,500
48x42x120 cm Tek Kilit (48x42x120 cm Single Lock)	450-N10-007	25,500
48x42x150 cm Çift Kilit (48x42x150 cm Double Lock)	450-N10-008	28,200



Takım Dolabı Metal

Metal Toolbox

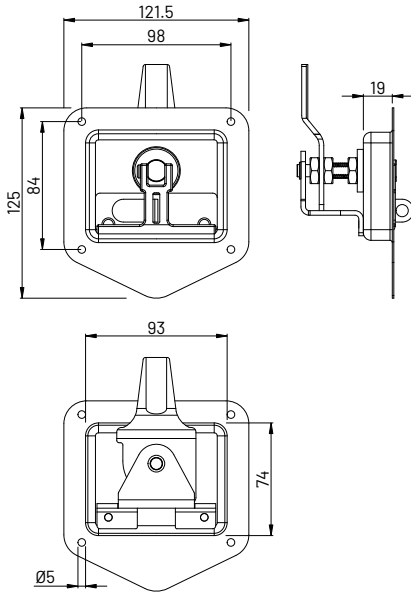
A/B/C		
54x42x100 cm Tek Kilit (54x42x100 cm Single Lock)	450-N10-016	28,000
60x50x100 cm Tek Kilit (60x50x100 cm Single Lock)	450-N10-017	45,000
54x42x120 cm Tek Kilit (54x42x120 cm Single Lock)	450-N10-018	32,000
60x50x120 cm Çift Kilit (60x50x120 cm Double Lock)	450-N10-019	50,000
54x42x150 cm Çift Kilit (54x42x150 cm Double Lock)	450-N10-020	35,000
60x50x150 cm Çift Kilit (60x50x150 cm Double Lock)	450-N10-021	60,000



Takım Dolabı Plastik

Plastic Toolbox

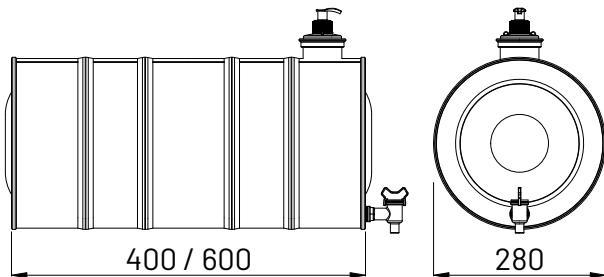
A/B/C		
39x38x40 cm Tek Kilit (39x38x40 cm Single Lock)	450-N10-014	4,000
39x37x48 cm Tek Kilit (39x37x48 cm Single Lock)	450-N10-009	4,800
46x46x58 cm Tek Kilit (46x46x58 cm Single Lock)	450-N10-010	7,500
50x48x80 cm Çift Kilit (50x48x80 cm Double Lock)	450-N10-011	9,500



Dolap Kilidi Asma Kilitli

Toolbox Lock, Padlock Operated

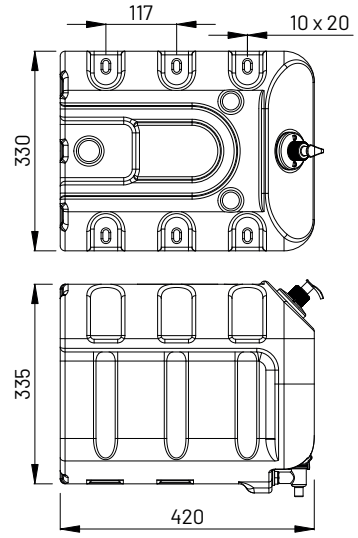
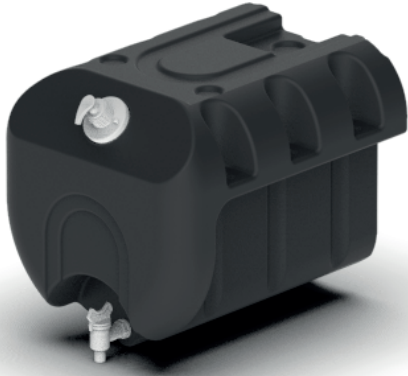
Galvanizli (ZP)	450-N11-001	0.500	
Krom (SS)	450-N11-002	0.500	25



Su Deposu Metal

Metal Water Tank

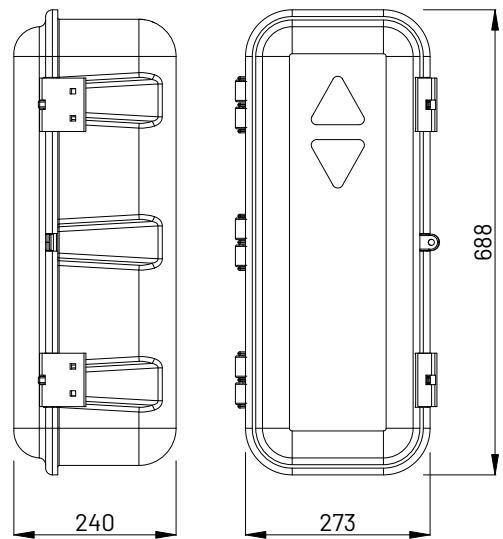
25 L Galvanizli (25 L ZP)	450-N12-001	2,600
25 L Krom (25 L SS)	450-N12-002	
35 L Galvanizli (35 L ZP)	450-N12-003	3,400
35 L Krom (35 L SS)	450-N12-004	

**Su Deposu Plastik 30 L**
Plastic Water Tank 30 L

450-N12-007



2.600

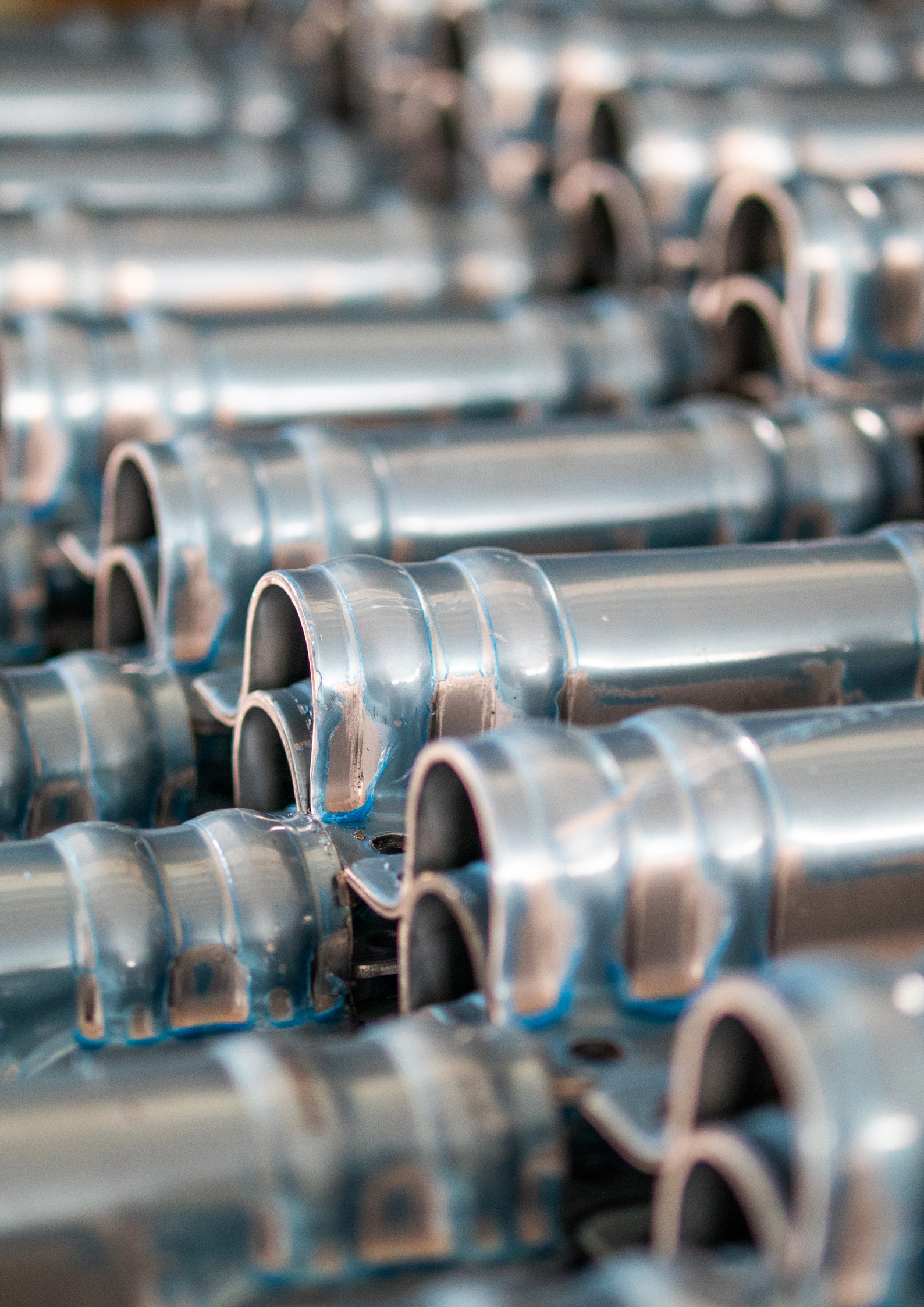
**Yangın Tüpü Dolabı**
Box for Extinguisher

450-N15-001



3.300







Organize Sanayi Bölgesi 2. Cad. No:21
Merkez / NEVŞEHİR / TÜRKİYE



+90 (384) 242 91 52



+90 (384) 242 91 56



itimat@itimatotomotiv.com.tr

www.itimatotomotiv.com.tr

ASİSTANIN